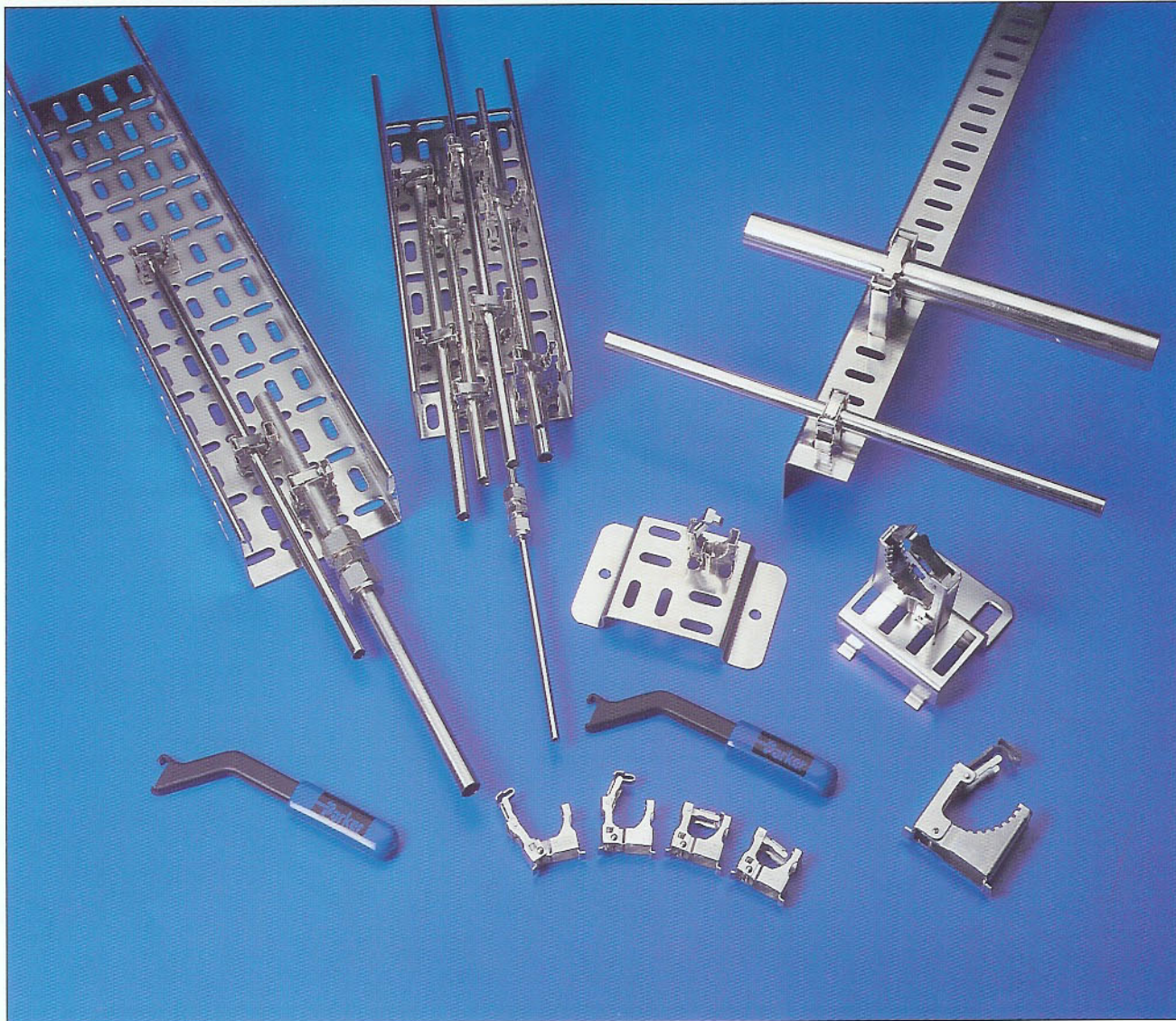


Snap-Trap™ Tubing Clamps

Catalog 4291
Revised, December 1999



Tubing Clamps

Snap-Trap™ Tubing Clamp

Principle

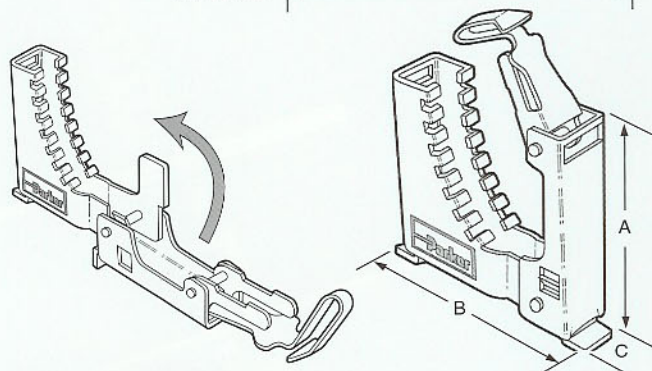
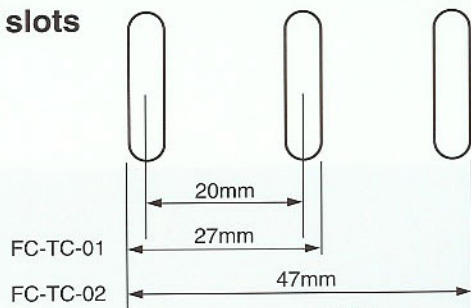
Snap-Trap™ is an innovative clamp, designed to radically simplify the installation and maintenance of instrumentation tubing. Its unique, one piece, design allows quick and easy fitting to cable trays, brackets and angle iron alike. The Snap-Trap™ will fit slotted cable trays with dimensions as indicated below. It can also be mounted to any other design of trays with the aid of brackets as shown in the examples on page 3.

Snap-Trap™ fully complies with the Norwegian offshore standards "NORSOK".

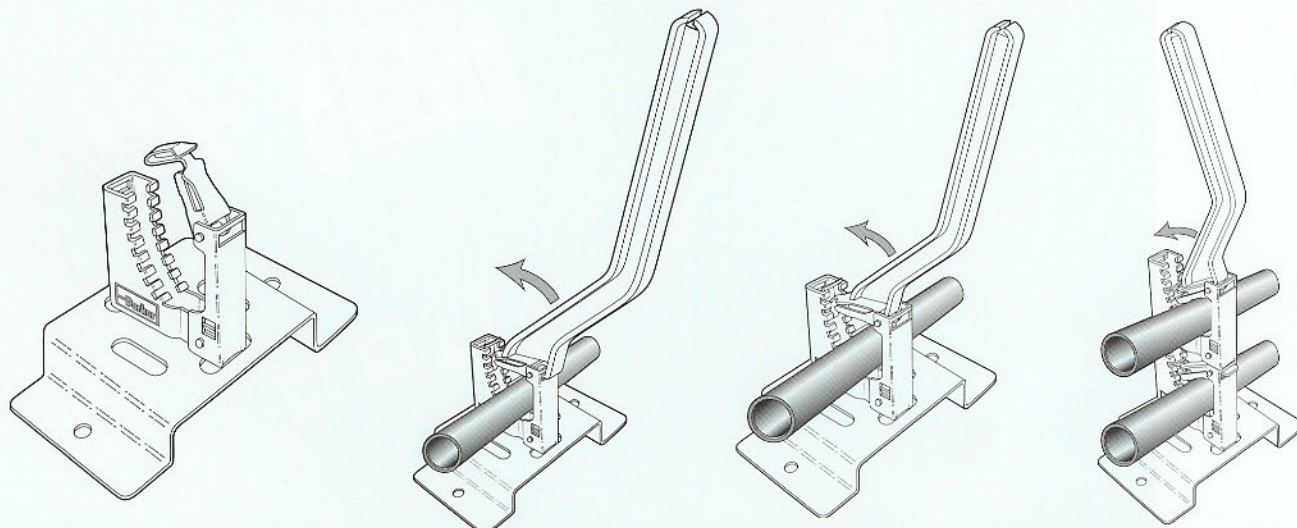
Section 8.3 of the NORSOK standard Z-CR-010 which covers the installation of instrumentation tubing states that: Tubing clamps shall be made of non-corrosive material, stainless steel AISI 316 or flame retardant plastic.

Galvanic corrosion between tubing and tubing support system shall be avoided. The tubing clamp shall, when installed, not allow for water/sea water to be accumulated between tubing clamp and tubing, this is to avoid crevice corrosion.

Cable tray slots



Assembly instructions



1. Clip clamp on tray or bracket.

2. For FC-TC-01
Insert tube and hook key at the back of the clamp.

For FC-TC-02
Insert tube and hook key at hinge part of clamp.

3. Apply pressure until clamp top plate engages behind the lugs on the bottom part of the clamp. N.B. Ensure the top plate is located firmly against the tubing.

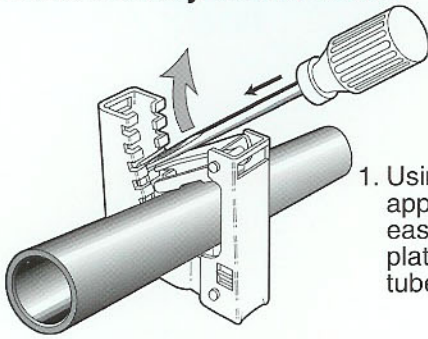
Advantages

- Complies fully to NORSOK standard Z-CR-010.
- Compact clamp in stainless steel.
- No loose parts.
- Snap-Trap™ tubing clamp is erected without using traditional tools. (No slippage of spanners on nut or bolt hexagons).
- No bolts to be fastened to the ladder/tray etc. (i.e. easy access).
- Automatic compensation for various tube dimensions.
- No additional spare parts need to be ordered.
- Snap-Trap™ tubing clamp is available in 2 sizes which covers both mm and inches.
- Stackable.
- Test data available on request.

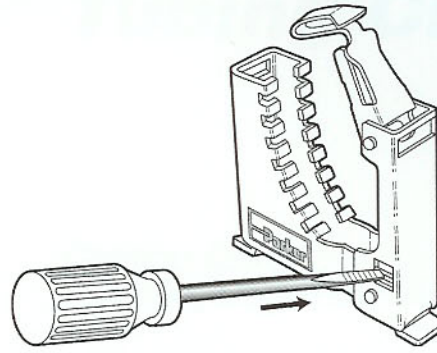
Part number	Description	A	B	C	Tube dia		Weight	Patent number
					mm	inch		
FC-TC-01	Small tube clamp	27	27	12	6-12	1/4-1/2	0,01kg	176370
FC-TC-02	Large tube clamps	47	47	15	12-26	1/2-1	0,06kg	176370

Part number	Description	Weight
SNAP-TRAP KEY	Assembly key	0,048kg.

Disassembly instructions



1. Using screwdriver, apply pressure to ease top clamp plate away from tube.



2. To remove clamp from tray or bracket, press release clip with screwdriver.

N.B. Full installation instructions are supplied with each box of clamps

Brackets and trays

<p>FC-MC-D Weight 0.11kg.</p> <p>7 dia 7 x 20 75 75 25 25 1.5 Example</p> <p>For use with 1 or 2 FC-TC-01</p>	<p>FC-MC-BIG Weight 0.08kg.</p> <p>65 10 1.5 7 x 20 7 dia 25</p> <p>Example</p> <p>For use with FC-TC-02</p>																																					
<p>FC-MC-S Weight 0.06kg.</p> <p>7 dia 7 x 20 40 25 75 10 1.5 25</p> <p>Example on monobrace</p> <p>For use with FC-TC-01</p>	<p>FC-TUB Weight 0.10kg.</p> <p>40 7 x 35 75 53</p> <p>Example on cable ladder</p> <p>For use with 1 or 2 FC-TC-01 or 1 FC-TC-02 on side rail</p>																																					
<p>FC-WR</p> <p>44 27 13 L</p> <table border="1"> <thead> <tr> <th>Type</th> <th>Length "L" (mm)</th> </tr> </thead> <tbody> <tr> <td>FC-WR-0</td> <td>3000</td> </tr> <tr> <td>FC-WR-1</td> <td>57</td> </tr> <tr> <td>FC-WR-2</td> <td>217</td> </tr> <tr> <td>FC-WR-3</td> <td>297</td> </tr> </tbody> </table> <p>Cable tray – type KB-/20 (20mm high)</p> <table border="1"> <thead> <tr> <th>Part No.</th> <th>Width (mm)</th> <th>Weight (kg)</th> </tr> </thead> <tbody> <tr> <td>KB 50/20</td> <td>50</td> <td>1,0</td> </tr> <tr> <td>KB 100/20</td> <td>100</td> <td>1,5</td> </tr> <tr> <td>KB 150/20</td> <td>150</td> <td>2,0</td> </tr> <tr> <td>KB 200/20</td> <td>200</td> <td>2,6</td> </tr> <tr> <td>KB 300/20</td> <td>300</td> <td>3,7</td> </tr> <tr> <td>KB 400/20</td> <td>400</td> <td>4,7</td> </tr> <tr> <td>KB 500/20</td> <td>500</td> <td>5,8</td> </tr> <tr> <td>KB 600/20</td> <td>600</td> <td>6,9</td> </tr> </tbody> </table> <p>Example of clamps on 20mm high cable tray</p> <p>Standard length 3 meters Different heights and trays with return flanges available upon request.</p>		Type	Length "L" (mm)	FC-WR-0	3000	FC-WR-1	57	FC-WR-2	217	FC-WR-3	297	Part No.	Width (mm)	Weight (kg)	KB 50/20	50	1,0	KB 100/20	100	1,5	KB 150/20	150	2,0	KB 200/20	200	2,6	KB 300/20	300	3,7	KB 400/20	400	4,7	KB 500/20	500	5,8	KB 600/20	600	6,9
Type	Length "L" (mm)																																					
FC-WR-0	3000																																					
FC-WR-1	57																																					
FC-WR-2	217																																					
FC-WR-3	297																																					
Part No.	Width (mm)	Weight (kg)																																				
KB 50/20	50	1,0																																				
KB 100/20	100	1,5																																				
KB 150/20	150	2,0																																				
KB 200/20	200	2,6																																				
KB 300/20	300	3,7																																				
KB 400/20	400	4,7																																				
KB 500/20	500	5,8																																				
KB 600/20	600	6,9																																				
<p>FC-TR</p> <p>44 13 L 30</p> <table border="1"> <thead> <tr> <th>Type</th> <th>Length "L" (mm)</th> </tr> </thead> <tbody> <tr> <td>FC-TR-0</td> <td>3000</td> </tr> <tr> <td>FC-TR-1</td> <td>97</td> </tr> <tr> <td>FC-TR-2</td> <td>137</td> </tr> <tr> <td>FC-TR-3</td> <td>197</td> </tr> </tbody> </table>	Type	Length "L" (mm)	FC-TR-0	3000	FC-TR-1	97	FC-TR-2	137	FC-TR-3	197	<p>Example of clamps on a return flange cable tray 50mm high.</p>																											
Type	Length "L" (mm)																																					
FC-TR-0	3000																																					
FC-TR-1	97																																					
FC-TR-2	137																																					
FC-TR-3	197																																					



Parker Hannifin plc
Instrumentation Products Division
Riverside Road
Pottington Business Park
Barnstaple, Devon EX31 1NP
England
Phone: +44 (0)1271 313131
Fax: +44 (0)1271 373636
Email: ipd@parker.com
www.parker.com/instrumentation

Catalog 4291, 10M, 12/99 GLL