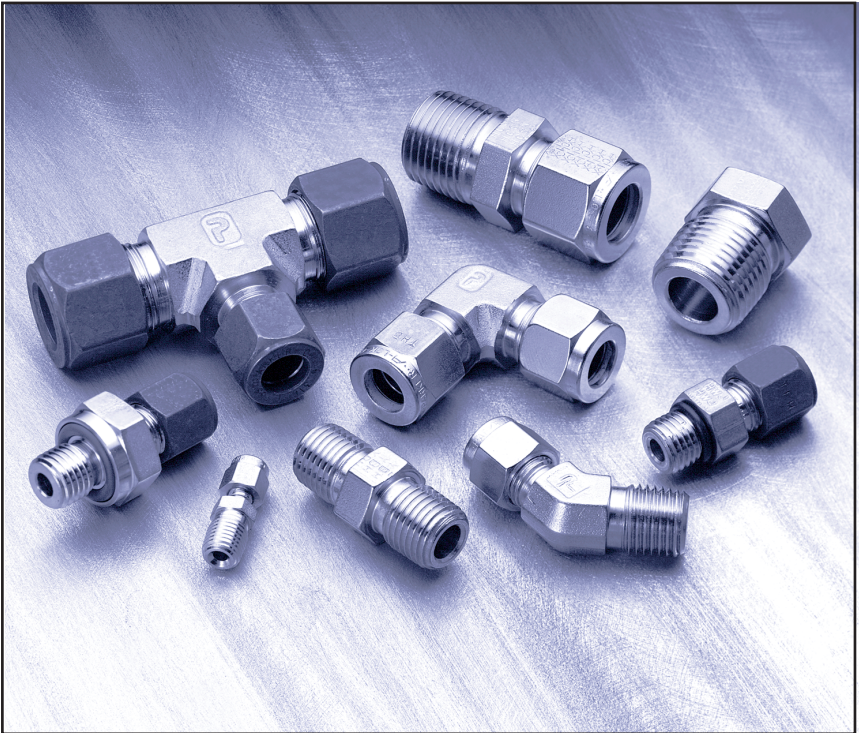




# Instrument Tube Fitting Installation Manual

*Bulletin 4200-B4  
Revised, July 2004*





## **WARNING**

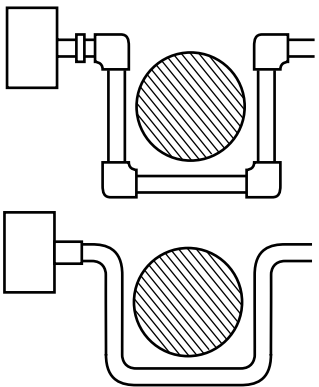
*The information contained within this publication is intended for educational purposes only. Information contained within is not intended for re-sale and may not be reproduced in whole or in part without the express written consent of The Parker Hannifin Corporation.*

# Table of Contents

TUBING VS PIPE INSTALLATIONS . . . . .	1
PRINCIPLES OF TUBE LINE FABRICATION . . . . .	3
PROPER TUBING SELECTION . . . . .	18
PROPER TUBING PREPARATION (HANDLING, CUTTING, DEBURRING, CLEANING) . . . . .	28
PORT CONNECTIONS . . . . .	30
PROPER TUBE FITTING MAKE-UP . . . . .	33
USE OF PARKER TUBE MARKER AND INSPECTION GAUGES . . . . .	34
PARKER IPD FERRULE PRESETTING TOOLS . . . . .	36
PROPER TUBE FITTING REMAKE INSTRUCTIONS . . . . .	39
PROPER HIGH INTEGRITY COUPLINGS INSTALLATION . . . . .	43
PROPER INSTALLATION OF WELD FITTINGS . . . . .	44
ANALYTICAL TUBE FITTINGS . . . . .	50
THREAD AND TUBE END SIZE CHART . . . . .	52
THREAD IDENTIFICATION . . . . .	61
HEAT CODE TRACEABILITY . . . . .	65
PARKER SUPARCASE® - FERRULE HARDENING . . . . .	67

# Tubing vs. Pipe

Standard fluid line systems, whether for simple household use or for the more exacting requirements of industry, were for many years constructed from threaded pipe of assorted materials and were assembled with various standard pipe fitting shapes, unions and nipples. Such systems under high pressures were plagued with leakage problems besides being cumbersome, inefficient and costly to assemble and maintain. Therefore, the use of pipe in these systems has largely been replaced by tubing because of the many advantages it offers.



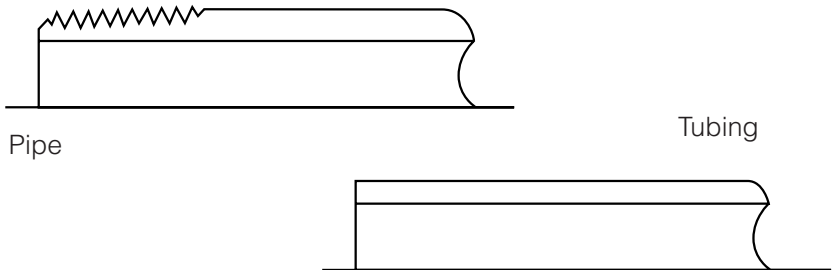
**Old Method** - Each connection is threaded - requires numerous fittings - system not flexible or easy to install and service connections not smooth inside - pockets obstruct flow.

**Modern Method** - Bendable tubing needs fewer fittings - no threading required - system light and compact - easy to install and service - no internal pockets or obstructions to free flow.

**Figure 1** Tubing provides simplified, free flow system.

## Major Advantages of Tubing vs. Pipe

1. **Bending Quality** - Tubing has strong but relatively thinner walls; is easy to bend. Tube fabrication is simple.
2. **Greater Strength** - Tubing is stronger. No weakened sections from reduction of wall thickness by threading.



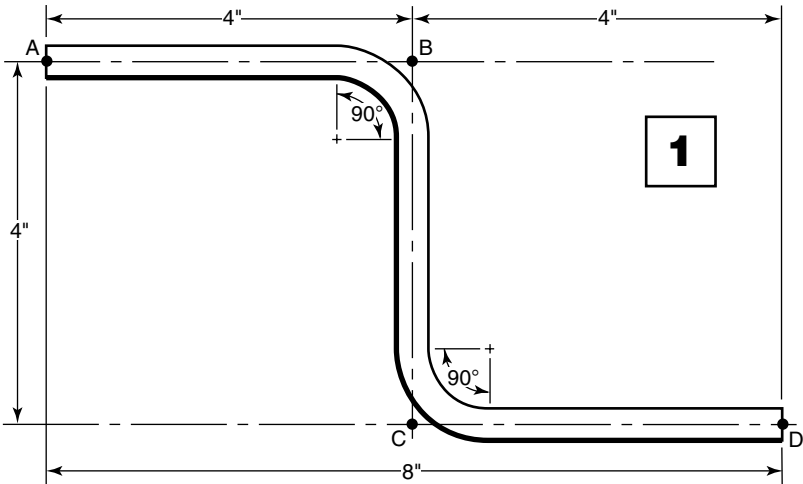
**Figure 2** With no threading necessary, tubing does not require extra wall thickness

3. ***Less Turbulence*** - Smooth bends result in streamlined flow passage and less pressure drop.
4. ***Economy of Space and Weight*** - With its better bending qualities and a smaller outside diameter, tubing saves space and permits working in close quarters. Tube fittings are smaller and also weigh less.
5. ***Flexibility*** - Tubing is less rigid, has less tendency to transmit vibration from one connection to another.
6. ***Fewer Fittings*** - Tubing bends substitute for elbows. Fewer fittings mean fewer joints, fewer leak paths.
7. ***Tighter Joints*** - Quality tube fittings, correctly assembled, give better assurance of leak-free systems.
8. ***Better Appearance*** - Tubing permits smoother contours with fewer fittings for a professional look to tubing systems.
9. ***Cleaner Fabrication*** - No sealing compounds on tube connections. Again no threading; minimum chance of scale, metal chips, foreign particles in system.
10. ***Easier Assembly and Disassembly*** - Every tube connection serves as a union. Tube connections can be reassembled repeatedly with easy wrench action.
11. ***Less Maintenance*** - Advantages of tubing and tube fittings add up to dependable, trouble-free installations.

# Principles of Tube Line Fabrication

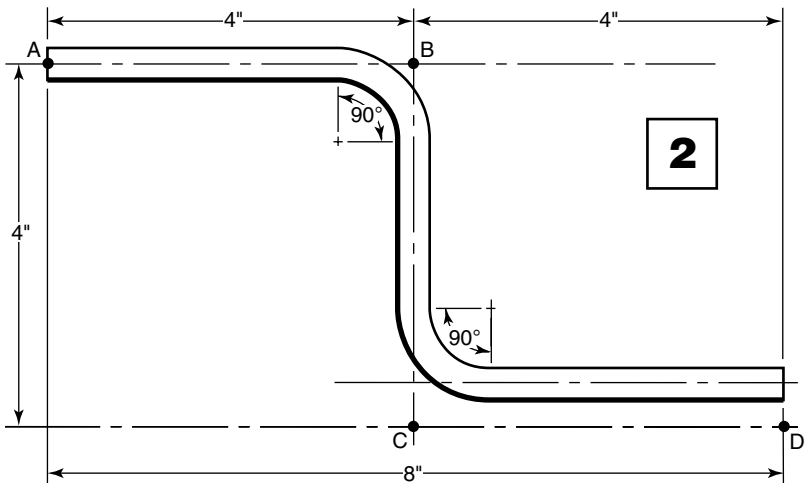
## 1. Measure Exactly - Bend Accurately

These are the two most important rules which must be observed when fabricating a tube line. Figure 1



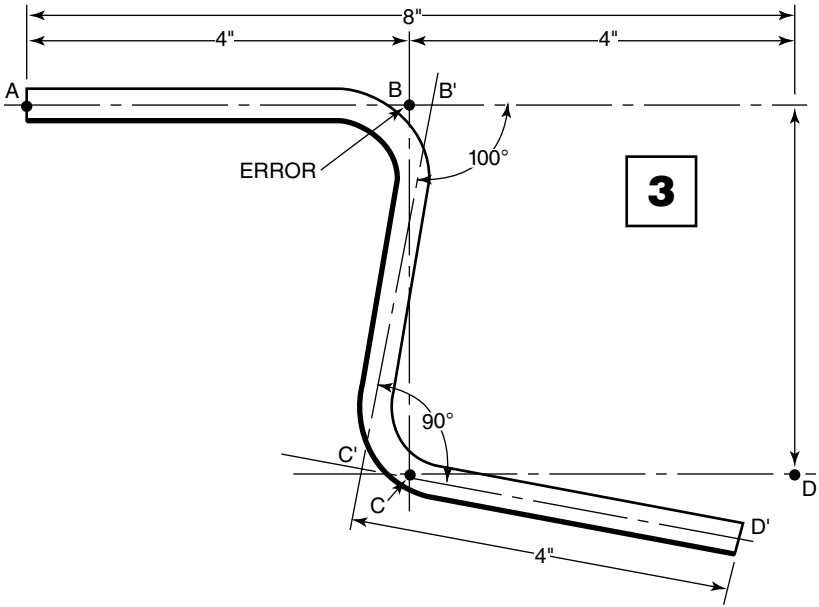
Accurate measurements coupled with exact angles may result in a tube line that will fit at points (A-D).

**EXACT MEASUREMENT** is required to insure that you obtain the desired distance between bends. If you do not measure exactly, the tube line will not fit. Figure 2



Measuring error on second leg (B-C) results in tube line that can not fit at point (D).

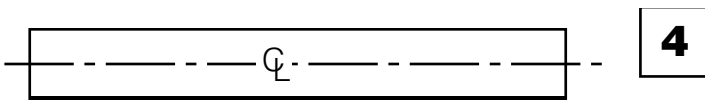
**ACCURATE BENDING** is necessary to achieve the exact angles required for the tube line. If you do not bend accurately, the tube line will not fit. (Figure 3)



**YOU MUST ALWAYS MEASURE EXACTLY  
AND BEND ACCURATELY**

## 2. Tube Centerline Basis for Measurement

The centerline of the tube is the basis for all tube line measurement. (Figure 4) Always measure from the centerline except from the first bend which is measured from the end of the tube. On most benders, the edge of the radius block is at the centerline of the tube.



## 3. You Control Accuracy

Remember only you can control the accuracy of your work. Use good, careful workmanship at all times.

## Tube Bending Check list

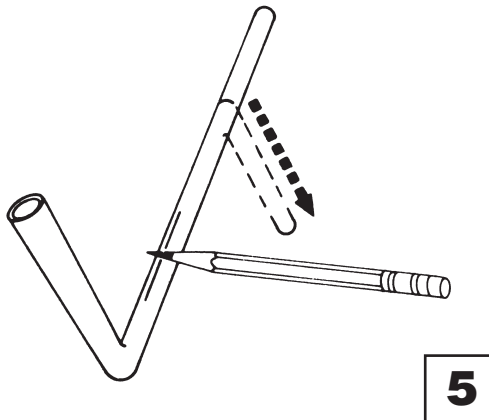
Follow this list to insure good results on each bend.

1. Measure and mark exactly. Insert tube in bender.
2. Always try to bend in the same direction! If you backbend, be sure to compensate for gain or pickup. Remember, gain always occurs to the right side of the tube radius block.
3. Clamp tubing securely in bender.
4. Check to make certain length mark is tangent to desired angle on radius block or in line with the desired degree on the link member.
5. Bend accurately to the desired angle plus springback allowance.
6. Open bender, remove tube.
7. Double check bend angle with triangle.
8. Check measurement length with tape or ruler.

## Keep Track of Changes of Plane

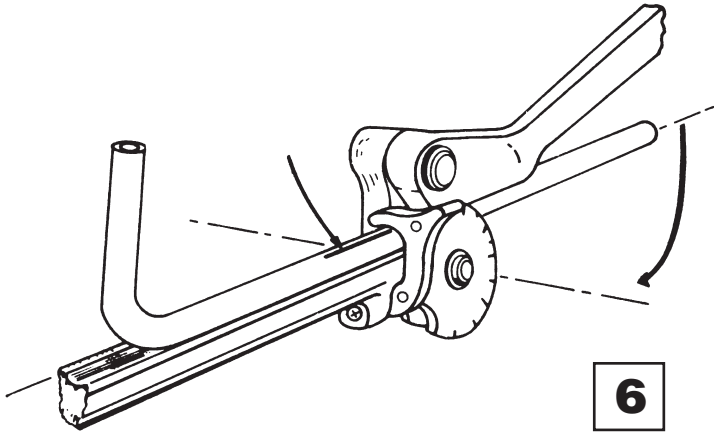
Benders bend in only one direction. Changes in plane are accomplished by rotating the tubing in the bender. To insure that the tubing is correctly placed for the desired change in plane, a reference mark on the tube is very helpful.

## Bend Direction Mark





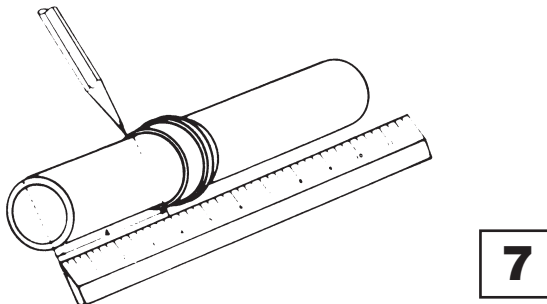
One method for keeping track of changes in plane is to use a longitudinal or lengthwise bend direction mark. (Figure 5) Put the mark on the side opposite the direction in which you wish to bend. When you put the tube in the bender, center the mark face up in the groove of the radius block. (Figure 6) This will insure that you bend in the correct direction. It also gives you a reference mark in case you must leave your work unfinished.



## Marking the Tube

Whenever you make a mark on tubing, use a sharp pencil. Use a ferrule as a guide to make measurement marks all the way around the tube so that the mark is always visible. (Figure 7) Don't use grease pencils or crayons as these make too wide a line which can easily affect accuracy.

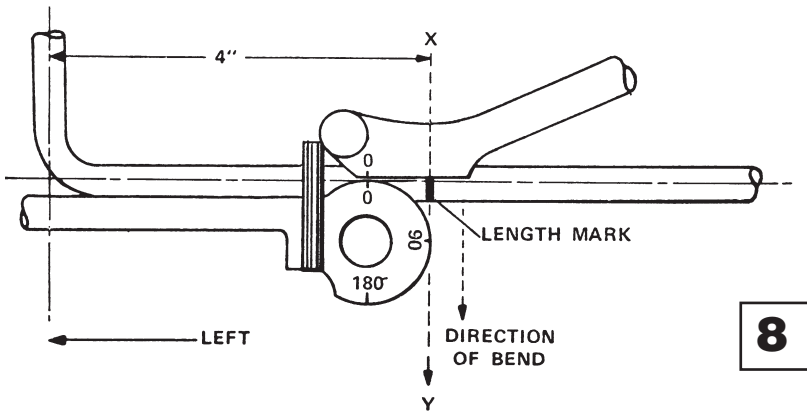
## Measure and Mark



*Never* use a sharp tool to scratch marks onto tubing. Scratches create points where corrosion or stress concentration can ruin or dangerously weaken the tube.

## Rules for Positioning Tubing in Bender

A line which is tangent to the desired angle mark on the radius block and which passes through the measurement mark at the centerline of the tube, is used to control the distance between bend centerlines. (Figure 8)



**8**

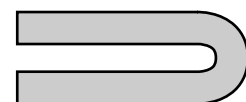
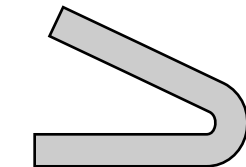
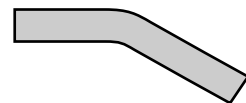
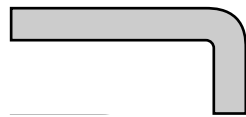
## Tube Positioning Rules

90° ANGLES - TANGENT FLUSH WITH LENGTH MARK (REFER TO DOTTED LINE XY TANGENT TO RADIUS BLOCK @ 90° FIG. 8.

ANGLES LESS THAN 90° - TANGENT INTERSECTS LENGTHMARK AT CENTER-LINE.

ANGLES MORE THAN 90° - POSITION FOR A 90° BEND AND CONTINUE ON TO DESIRED ANGLE, I.E. 135°, 145°. (I.E. LENGTH MARK @ 90° ON LINK MEMBER)

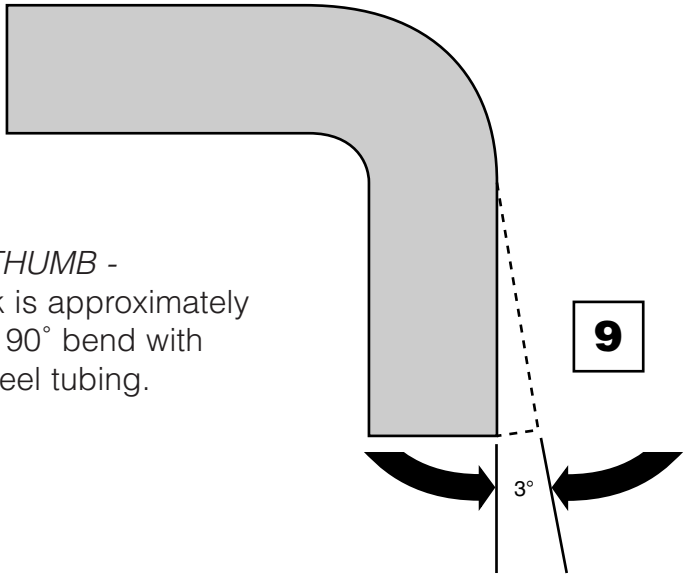
HORSESHOE OR U-BENDS - MEASURE FIRST LEG, POSITION FOR 90°, BEND AROUND TO 180°.



## Springback 90° Bend

### *RULE OF THUMB -*

Springback is approximately 3° for each 90° bend with stainless steel tubing.



### *Compensate for springback:*

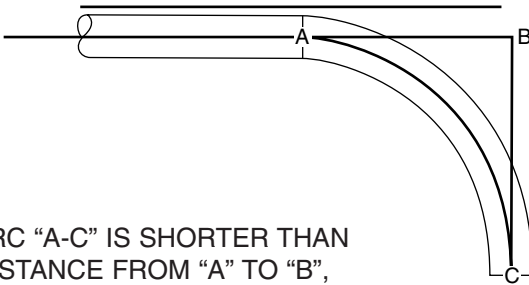
1. Test a piece of the material before you start fabricating a line to see how much it springs back on a 90° bend.
2. Overbend by the amount of springback. For example, if the material springs back 3° on a 90° bend, bend to 93° to secure a finished 90° bend, or to 46-1/2° to obtain finished 45° bend. This works especially well with large heavy-wall tubing.
3. Remember, it is always better to underbend slightly. You can always bend a little more if needed, but it's almost impossible to remove or straighten a bend, especially with large, heavy-wall tubing.

**REMEMBER - A TUBE BENDER BENDS -  
IT CAN NOT UNBEND.**

## Tube Stretch or Pickup

When bent, tubing seems to stretch or pick up length. This is because it takes a curved shortcut across the inside of the angle. A good “rule of thumb” for most standard tubing materials and radius blocks is that the tubing will stretch approximately one tube diameter for each 90° bend.

### Triangle A-B-C- with Arc “A-C”



THE ARC “A-C” IS SHORTER THAN THE DISTANCE FROM “A” TO “B”, PLUS “B” TO “C”.

Always try to bend in the same direction - away from the original starting end. If you reverse the direction of bending (bending towards instead of away from the original starting end) you will “trap” the stretch. Thus, if you unknowingly make a reverse bend of 90°, you will trap the gain, in table 11 (approximately one tube O.D.) and increase your length between bends by that amount.

If bend direction for either 45° or 90° bend must be reversed, subtract the “gain” amount listed in table 11.

While our rule of thumb is approximately correct, the amount of stretch is related to the diameter of the radius block used. This chart (Figure 11) gives the accurate increase in length that occurs with the most commonly used sizes of radius blocks.

As long as you measure and bend with the tube inserted from the left, and measure centerline, “pickup” will not affect your actual center-to-center measurement.

$$\pi = 3.1416$$

$$R = \text{radius bender}$$

Gain - 45° Bend

Gain - 90° Bend

$$2R - \frac{\pi R}{2}$$

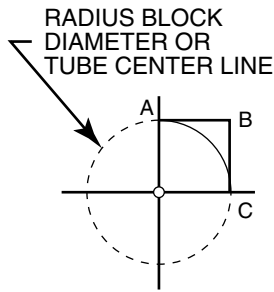
or

$$.429 R$$

$$.8284R - \frac{\pi R}{4}$$

or

$$.043 R$$



**11**

Tube	Size	Radius of Bender (in inches)	Gain 90°	Gain 45°
1/8	2	3/8	.16	.02
3/16	3	7/16	.19	.02
1/4	4	9/16	.24	.02
5/16	5	11/16	.30	.03
3/8	6	15/16	.40	.04
1/2	8	1-1/2	.64	.06
5/8	10	1-7/8	.80	.08
3/4	12	2-1/4	.97	.10
7/8	14	2-5/8	1.13	.11
1	16	3	1.29	.13
1-1/4	20	3-3/4	1.61	.16
1-1/2	24	4-1/2	1.93	.19
2	32	*8	3.43	.34

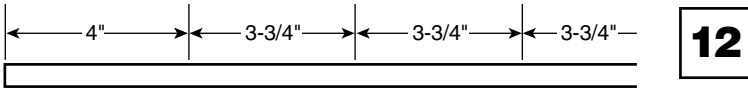
\*PER AND 10111 STD

NOTE: Some radius blocks may differ. Consult individual radius block manufacturers for details on other radius diameters.

## Pre-Measuring

You may pre-measure a series of bends. Measure the first bend from the end of the tube, the correct length. Compensate for each bend after the first by subtracting the amount of gain from your chart for each 90° of bend to allow for stretch (Figure 11). Always custom measure for the last bend.

### Example of 1/4" Tubing



## “Rule of Thumb” Method

Compensate each measurement after the first by subtracting the gain listed in table 11.

## Best Way to Measure

For maximum accuracy, measure and bend exactly for each individual bend in the tubing line. We recommend the practice of *Measure and Bend, Measure and Bend, etc.*

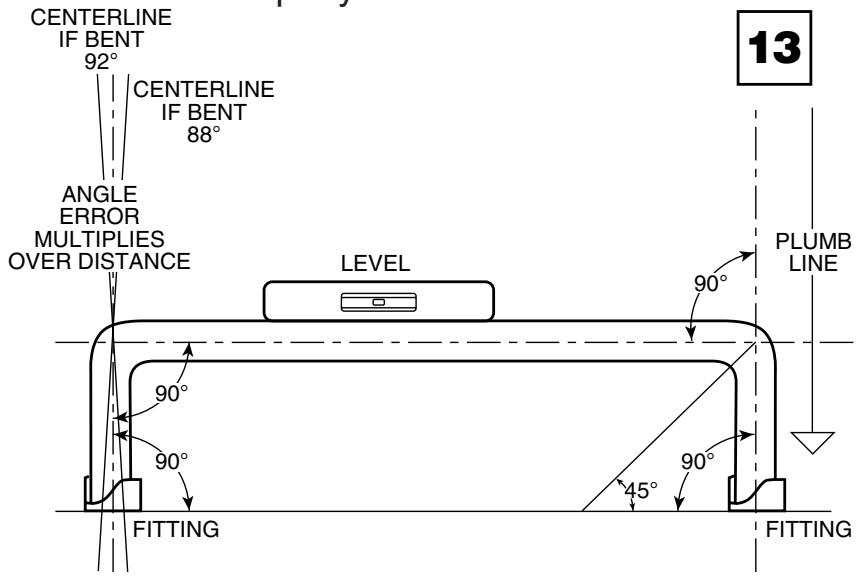
## Characteristics of a Well-Made Tubing Circuit

In a well made tubing circuit or line, bends are accurate, measurement exact. The run is plumb, square and level. Tube ends rest firmly in the fittings and entry into the fittings is straight. Straight tube entry is very important to insure that fittings are not under stress and can be assembled without leaks. (Figure 13)

Remember too, that length magnifies bend angles errors. If the leg following the bend is fairly long, an error of 1° may result in the tube line missing the desired point completely.

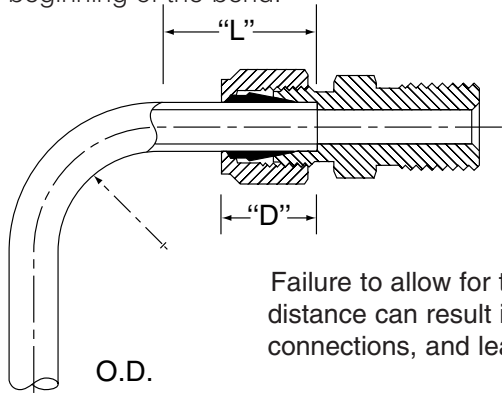
# Properly Made Tube Circuit

**13**



## Recommended Free Tubing Lengths

It is important to consider the length of tubing from the end in the fitting body to the beginning of the bend.



Failure to allow for this proper distance can result in improper connections, and leaks.

TUBE O.D. inches	1/16	1/8	3/16	1/4	5/16	3/8	1/2	5/8	3/4	7/8	1	1-1/4	1-1/2	2
"L" Free Length of Straight Tubing (inches)	.50	.70	.75	.80	.88	.94	1.19	1.25	1.25	1.31	1.50	1.94	2.41	3.25
"D" Tube Insertion Depth (inches)	.38	.52	.56	.61	.66	.69	.94	.98	.98	1.05	1.22	1.61	1.96	2.65

## Common Causes of Imperfect Bends

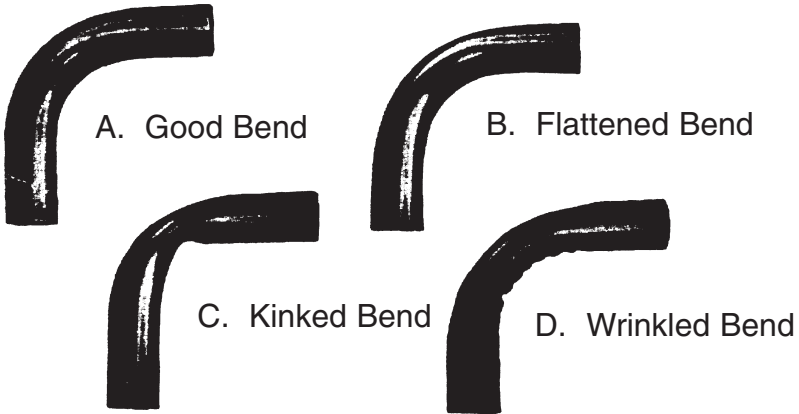
Figure A shows an ideal bend. Bends with little or no flattening are produced when correct equipment and methods are employed; when proper consideration is given to co-relationship of the radius of the bend, material wall thickness and hardness of the tube.

Figure B shows a flattened bend, caused by trying to bend too short a radius, or bending smaller diameter tube in larger radius block.

Figure C shows a kinked and flattened bend, caused by the tube slipping in the bender, or by using non-annealed tubing. Tubes must be firmly clamped by clamp block to prevent slippage during bending process.

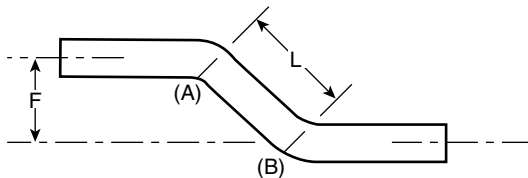
Figure D shows a wrinkled bend, sometimes produced when thin wall tube is bent.

Breakage will sometimes occur when mandrel is too far forward in tube, or when too short a radius is attempted with hard tube.



## Offset Bends

To form a tube offset, it is obviously necessary to make two bends. With these Parker hand tube benders, it is easy to make double 45° bends. To make an offset bend simply follow the "Offset Bend Allowance" steps below to determine the proper distance between the two 45° bends. Here's the procedure.





**STEP 1** First, determine the total amount of offset required (dimension “F” in the diagram).

**STEP 2** Next, determine the angle of offset - 30° or 45°. The latter (45°) is recommended because Parker hand benders are calibrated for 45° bending.

**STEP 3** Figure the length of the tube required to meet your offset requirements (“L” dimension) in the diagram.

For 30° bends multiply desired offset “F”x 2= 30° offset dimension “L”. For 45° bends multiply desired offset “F”x 1.414=45° offset dimension “L”.

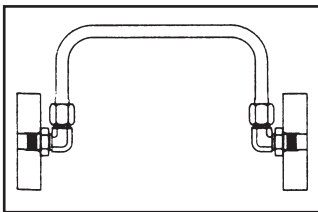
**STEP 4** Determine where you want the offset bend of the tube to start; and make a reference mark (A). Now measure off the “L” dimension (determined in Step 3), starting from the reference mark and make a second mark (B). You are now ready to make the bends.

**STEP 5** Align mark (A) with reference mark 45° on bender shoe handle (measurement end to the left) and proceed with first bend. Then align (B) with 45° mark and make second bend in proper direction (measurement end to the left). Follow previous detailed instructions for making 45° bends in one plane.

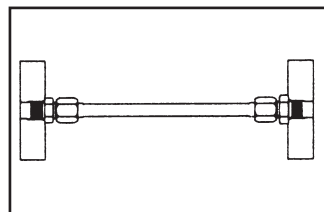
## Routing of Bends

Routing of lines is probably the most difficult yet most significant of these system design considerations. Proper routing involves getting a connecting line from one point to another through the most logical path. The most logical path should:

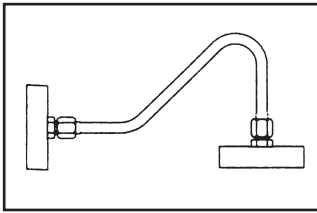
**Avoid excessive strain on joints** - A strained joint will eventually leak.



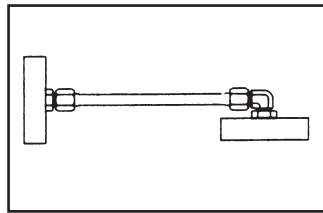
Correct Routing



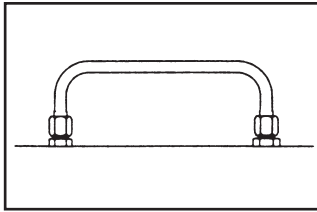
Incorrect Routing



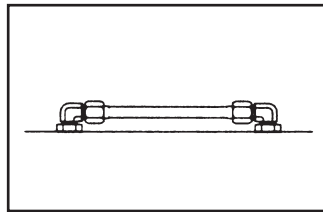
Correct Routing



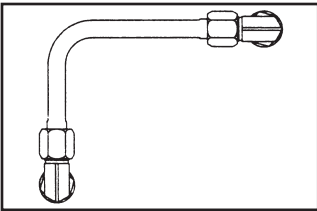
Incorrect Routing



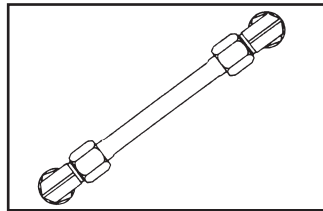
Correct Routing



Incorrect Routing

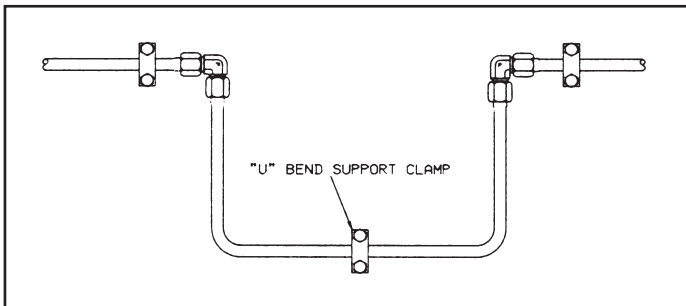


Correct Routing



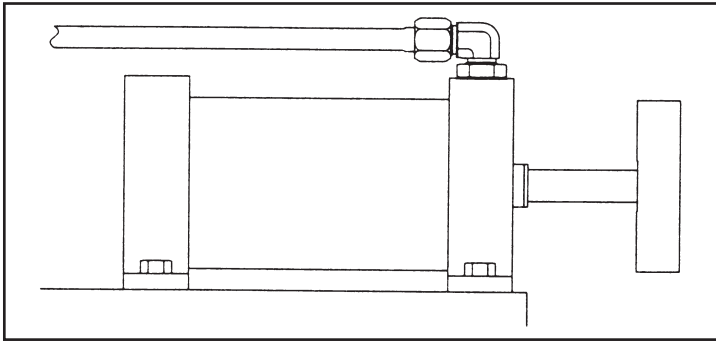
Incorrect Routing

Allow for expansion and contraction - Use a "U" bend in long lines to allow for expansion and contraction.



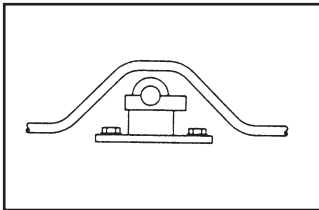
U-Bend Allowing for Expansion and Contraction

**Allow for motion under load** - Even some apparently rigid systems do move under load.

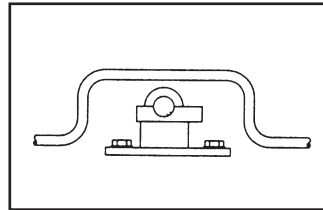


Bent Tube Allowing for Motion Under Load

**Get around obstructions without using excessive amount of 90° bends.** Pressure drop due to one 90° bend is greater than that due to two 45° bends.

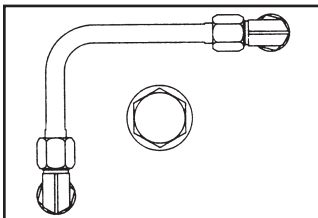


Correct

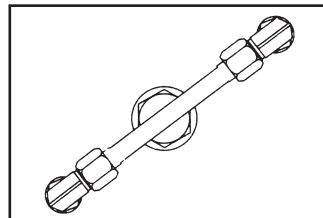


Incorrect

**Keep tube lines away from components that require regular maintenance.**

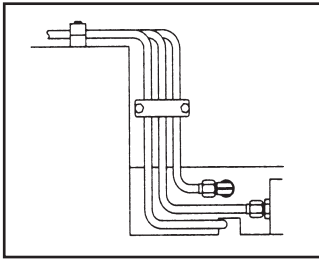


Correct

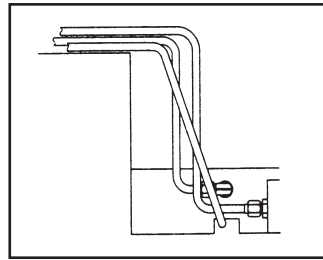


Incorrect

**Have a neat appearance and allow for easy trouble shooting, maintenance and repair.**



**Correct**



**Incorrect**

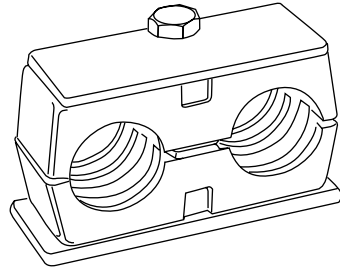
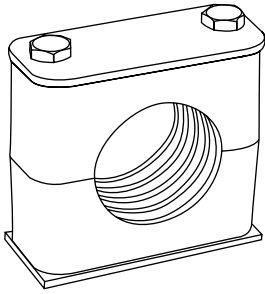
## **Tube Clamping**

Once you've taken the time to make good bends and installed them, it's not enough to just let them lay suspended in mid-air. When tubing is left unsupported, shock and vibration will cause the tubing to shake, and in turn, cause the fitting to loosen and leak or even allow tube to fall through fatigue.

Tube support and clamping is a necessary requirement in the fluid power industry. Tubing can be clamped individually, in sets, and can also be stacked. The most important part of any clamping system is having enough clamps to attain the final result. That being, a well supported, vibration and noise free system.

Also, most manufacturers specify SAE and JIC approved components on their equipment. The best way to meet these specs concerning clamps is to utilize a clamp that employs both an upper and lower unit made of metal and a rubber split bushing which surrounds the tube or pipe and fits on the inside of the clamping units.

Parker Hannifin offers a tube clamp support system by the name of "ParKlamp". ParKlamp can clamp and support tube from 1/4" to 2" and pipe or hose from 1/4" to 1-1/2". It comes standard in steel and uses a rubber grommet around the tube for vibration dampening.



### Standard Series -

for outside diameters from  
1/4" to 2".

Clamp material: Polypropylene

### Twin Series -

for equal or unequal outside  
diameters from 1/4" to 2"

Clamp Material: Polypropylene

Below you will find a chart of recommended spacing between clamps. We suggest you clamp as close to each bend of the tube as possible; and you must clamp each side. This eliminates thrust in all directions.

*For more information, write the Parker Hannifin Corporation, 6035 Parkland Ave, Cleveland, Ohio 44124. Catalog #4397 Parker ParKlamp.*

TUBE O.D."	EQUIVALENT TUBE (mm)	FOOT SPACING BETWEEN SUPPORTS	SPACING IN METERS (Approx.)
1/4" - 1/2"	6 - 13 mm	3 ft.	.9 m
3/8" - 7/8"	14 - 22 mm	4 ft.	1.2 m
1"	23 - 30 mm	5 ft.	1.5 m
1-1/4" & up	31 & up mm	7 ft.	2.1

## Proper Tubing Selection

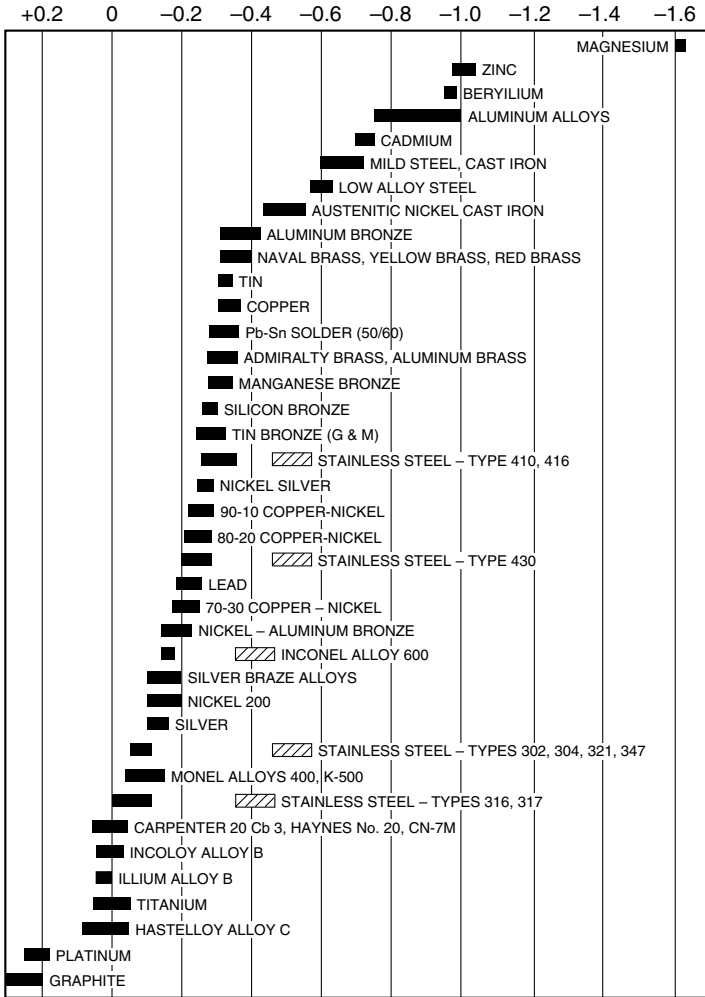
- Always Match Materials** - I.E., S.S. Tubing should be used only with S.S. Fittings. The only exception to this rule is copper tubing with brass fittings. Mixing materials can cause galvanic corrosion.

### Galvanic Corrosion (Electrochemical)

All metals have a specific relative electrical potential. When dissimilar metals come in contact in the presence of moisture (electrolyte), a low energy electric flows from the metal having the higher potential to the metal having the lower potential. The result of this galvanic action is the corrosion of the metal with the higher potential (more anodic). (See Galvanic Series Chart on page 19)

PARKER DOES NOT RECOMMEND THE USE OF DISSIMILAR METALS WHEN PUTTING TOGETHER A TUBING/ FITTING CONNECTION SYSTEM.

(Cathodic) **Galvanic Series Chart** (Anodic)



Above represents corrosion potentials of materials in flowing seawater @ temperature in the range 10° C - 26° C. The hatched symbols indicate potentials exhibited by stainless steels in pits or crevices.

## Proper Tube Selection (continued)

- 2. Select proper tubing hardness** - Remember Parker Instrumentation Tube Fittings are designed to work within specific hardness ranges. Rb 90 max. for S.S., Rb 80 recommended.
- 3. Select proper tubing wall thickness** - Proper wall thickness is necessary to accommodate accepted safety factors relative to desired working pressures. For details on items 2 & 3 note "Instrumentation Tubing Selection Guide" shown on the following pages.
- 4. Tubing surface finish** - Always select tubing free of visible drawmarks or surface scratches. If possible, cut off any undesirable sections. These "deep" scratches can cause leaks when attempting to seal low-density gases such as argon, nitrogen, or helium.

## Instrument Tubing Selection Guide

Parker's Instrument Tube Fittings have been designed to work in a wide variety of applications that demand the utmost in product performance.

Although Parker's Instrument Tube Fittings have been engineered and manufactured to consistently provide this level of reliability, no system's integrity is complete without considering the critical link, **tubing**.

This guide is intended to assist the designer to properly select and order quality tubing.

Proper tube selection and installation, we believe, are key ingredients in building leak-free, reliable tubing systems.

## General Selection Criteria

The most important consideration in the selection of suitable tubing for any application is the compatibility of the tubing material with the media to be contained. Table 1 lists common materials and their associated general application. Table 1 also lists the maximum and minimum operating temperature for the various tubing materials.

In addition, Parker instrumentation fittings should be used only with stainless steel tubing, aluminum fittings with aluminum tubing, etc. The practice of mixing materials is strongly discouraged. The only exception is brass fittings with copper tubing.

Dissimilar materials in contact may be susceptible to galvanic corrosion. Further, different materials have different levels of hardness, and can adversely affect the fittings ability to seal on the tubing.

## Table 1

TUBING MATERIAL	GENERAL APPLICATION	RECOMMENDED TEMPERATURE RANGE
Stainless Steel	High Pressure, High Temperature, Generally Corrosive Media	-425°F to 1,200°F <sup>1</sup> (-255°C to 605°C)
Carbon Steel	High Pressure, High Temperature Oil, Air, Some Specialty Chemicals	-20°F to 800°F <sup>2</sup> (-29°C to 425°C)
Cooper	Low Temperature, Low Pressure Water, Oil, Air	-40°F to 400°F (-40°C to 205°C)
Aluminum	Low Temperature, Low Pressure Water, Oil, Air, Some Specialty Chemicals	-40°F to 400°F (-40°C to 205°C)
Monel 400™	Recommended for Sour Gas Applications Well Suited for Marine and General Chemical Processing Applications	-325°F to 800°F (-198°C to 425°C)
Alloy C276	Excellent Corrosion Resistance to Both Oxidizing and Reducing Media and Excellent Resistance to Localized Corrosion Attack	-325°F to 1000°F (-198°C to 535°C)
Carpenter 20™	Applications Requiring Resistance to Stress Corrosion Cracking in Extreme Conditions	-325°F to 800°F (-198°C to 425°C)
Alloy 600	Recommended for High Temperature Applications with Generally Corrosive Media	-205°F to 1200°F (-130°C to 650°C)
Titanium	Resistant to Many Natural Environments such as Sea Water, Body Fluids and Salt Solutions	-75°F to 600°F (-59°C to 315°C)

Carpenter 20 is a trademark of Carpenter Technology Corporation.

Monel 400 is a trademark of International Nickel.

- For operating temperatures above 800 °F (425 °C), consideration should be given to media. 300 Series Stainless Steels are susceptible to carbide precipitation which may lead to intergranular corrosion at elevated temperatures.
- Consideration should be given to maximum temperature ratings if fittings and/or tubing are

All temperature ratings based on temperatures per ASME/ANSI B31-3 Chemical Plant and Petroleum Refinery Piping Code, 1999 Edition.

The information listed in Table 1 is general in scope. For specific applications, please contact Parker's Instrumentation Products Division, Product Engineering Department (256) 881-2040.

## Gas Service

Special care must be taken when selecting tubing for gas service. In order to achieve a gas-tight seal, ferrules in instrument fittings must seal any surface imperfections. This is accomplished by the ferrules penetrating the surface of the tubing. Penetration can only be achieved if the tubing provides radial resistance and if the tubing material is softer than the ferrules.

Thick walled tubing helps to provide resistance. Tables 2-7 indicate the minimum acceptable wall thickness for various materials in gas service. The ratings in white indicate combinations of diameter and wall thickness which are suitable for gas service.



Acceptable tubing hardness for general application is listed in Table 9. These values are the maximum allowed by the ASTM. For gas service, better results can be obtained by using tubing well below this maximum hardness. For example, a desirable hardness of 80 Rb is suitable for stainless steel. The maximum allowed by ASTM is 90 Rb.

## System Pressure

The system operating pressure is another important factor in determining the type, and more importantly, the size of tubing to be used. In general, high pressure installations require strong materials such as steel or stainless steel. Heavy walled softer tubing such as copper may be used if chemical compatibility exists with the media. However, the higher strength of steel or stainless steel permits the use of thinner tubes without reducing the ultimate rating of the system. In any event, tube fitting assemblies should never be pressurized beyond the recommended working pressure.

The following tables (2-7) list by material the maximum suggested working pressure of various tubing sizes. Acceptable tubing diameters and wall thicknesses are those for which a rating is listed. Combinations which do not have a pressure rating are not recommended for use with instrument fittings.

## Maximum Allowable Working Pressure Tables

Table 2 316 or 304 STAINLESS STEEL (Seamless)																
Tube O.D. Size	WALL THICKNESS															
	.010	.012	.014	.016	.020	.028	.035	.049	.065	.083	.095	.109	.120	.134	.156	.188
1/16	5600	6900	8200	9500	12100	16800										
1/8						8600	10900									
3/16						5500	7000	10300								
1/4						4000	5100	7500	10300							
5/16							4100	5900	8100							
3/8							3300	4800	6600							
1/2							2600	3700	5100	6700						
5/8								3000	4000	5200	6100					
3/4								2400	3300	4300	5000	5800				
7/8								2100	2800	3600	4200	4900				
1									2400	3200	3700	4200	4700			
1-1/4										2500	3300	3700	4100	4900		
1-1/2											2400	2700	3000	3400	4000	4500
2												2000	2200	2500	2900	3200

Table 3 316 or 304 STAINLESS STEEL (Welded)																
Tube O.D. Size	WALL THICKNESS															
	.010	.012	.014	.016	.020	.028	.035	.049	.065	.083	.095	.109	.120	.134	.156	.188
1/16	4800	5900	7000	8100	10300	14300										
1/8						7300	9300									
3/16						4700	6000	8700								
1/4						3400	4400	6400	8700							
5/16							3400	5000	6900							
3/8							2800	4100	5600							
1/2							2200	3200	4300	5700						
5/8								2500	3400	4500	5200					
3/4								2100	2800	3700	4200	4900				
7/8								1800	2400	3100	3600	4200				
1									2100	2700	3100	3600	4000			
1-1/4										2100	2400	2800	3100	3500	4200	
1-1/2											2000	2300	2600	2900	3400	4200
2												1700	1900	2100	2500	3000

### RATINGS IN GRAY NOT SUITABLE FOR GAS SERVICE

Table 4 CARBON STEEL (Seamless)												
Tube O.D. Size	WALL THICKNESS											
	.028	.035	.049	.065	.083	.095	.109	.120	.134	.148	.165	.180
1/8	8100	10300										
3/16	5200	6700	9700									
1/4	3800	4900	7100	9700								
5/16	3800	5500	7700									
3/8	3100	4500	6200									
1/2	2300	3300	4500	6000								
5/8	1800	2600	3500	4600	5400							
3/4	2200	2900	3800	4400	5100							
7/8	1800	2500	3200	3700	4300							
1	1600	2100	2800	3200	3700	4100						
1-1/4		1700	2200	2500	2900	3200	3700	4100	4600	5100		

Table 6 ALUMINUM (Seamless)					
Tube O.D. Size	WALL THICKNESS				
	.035	.049	.065	.083	.095
1/8	8700				
3/16	5600	8100			
1/4	4100	5900			
5/16	3200	4600			
3/8	2600	3800			
1/2	1900	2800	3800		
5/8	1500	2200	2900		
3/4		1800	2400	3200	
7/8		1500	2100	2700	
1		1300	1800	2300	2700

Table 5 COPPER (Seamless)										
Tube O.D. Size	WALL THICKNESS									
	.010	.020	.028	.035	.049	.065	.083	.095	.109	.120
1/16	1700	3800	5400	6000						
1/8		2800	3600							
3/16		1800	2300	3500						
1/4			1700	2600	3500					
5/16			1300	2000	2800					
3/8			1100	1600	2300					
1/2			800	1200	1600	2200				
5/8				900	1300	1700	2000			
3/4				800	1000	1400	1600	1900		
7/8				600	900	1100	1300	1600		
1				600	800	1000	1200	1400	1500	

Table 7 MONEL 400 (Seamless)											
Tube O.D. Size	WALL THICKNESS										
	.010	.020	.028	.035	.049	.065	.083	.095	.109	.120	
1/16	5900	12600	17000								
1/8		8600	11000								
3/16			5500	7100	10300						
1/4			4000	5100	7500	10300					
5/16				4000	5900	8100					
3/8				3300	4800	6600					
1/2				2300	3300	4500	5900				
5/8					2800	3700	4900	5700			
3/4						2300	3100	4000	4600	5400	
1							2300	2900	3400	3900	4400

Note:

- All working pressures have been calculated using the maximum allowable stress levels in accordance with ASME/ANSI B31.3, Chemical Plant and Petroleum Refinery Piping or ASME/ANSI B31.1 Power Piping.
- All calculations are based on maximum outside diameter and minimum wall thickness.
- All working pressures are at ambient (72° F) temperature.

# Systems Temperature

Operating temperature is another factor in determining the proper tubing material. Copper and aluminum tubing are suitable for low temperature media. Stainless steel and carbon steel tubing are suitable for higher temperature media. Special alloys such as Alloy 600 are recommended for extremely high temperature (see Table 1). Table 8 lists derating factors which should be applied to the working pressures listed in Table 2-7 for elevated temperature (see Table 1). Table 8 lists derating factors which should be applied to the working pressures listed in Tables 2-7 for elevated temperature conditions. Simply locate the correct factor in Table 8 and multiply this by the appropriate value in Tables 2-7 for the elevated temperature working pressure.

<b>Table 8 Temperature Derating Factors</b>							
Temperature °F (°C)		Copper	Aluminum	316 SS	304 SS	Steel	Monel 400
100	(38)	1.00	1.00	1.00	1.00	1.00	1.00
200	(93)	.80	1.00	1.00	1.00	.96	.88
300	(149)	.78	.81	1.00	1.00	.90	.82
400	(204)	.50	.40	.97	.94	.86	.79
500	(260)			.90	.88	.82	.79
600	(316)			.85	.82	.77	.79
700	(371)			.82	.80	.73	.79
800	(427)			.80	.76	.59	.76
900	(486)			.78	.73		
1000	(538)			.77	.69		
1100	(593)			.62	.49		
1200	(649)			.37	.30		

EXAMPLE: 1/2 inch x .049 wall seamless stainless steel tubing has a working pressure of 3700 psi @ room temperature. If the system were to operate @ 800°F (425°C), a factor of 80% (or .80) would apply (see Table 8 above) and the “at temperature” system pressure would be 3700 psi x .80 = 2960 psi

## Tubing Ordering Suggestions

Tubing for use with Parker instrument fittings must be carefully ordered to insure adequate quality for good performance. Each purchase order must specify the material nominal outside diameter, and wall thickness.

Ordering to ASTM specifications insures that the tubing will be dimensionally, physically, and chemically within strict limits. Also, more stringent requirements may be added by the user. All tubing should be ordered free of scratches and suitable for bending.

A purchase order meeting the above criteria would read as follows: 1/2" x .049316 stainless steel, seamless, or welded and redrawn per ASTM A-249. Fully annealed, 80 Rb or less. Must be suitable for bending; surface scratches, and imperfections (incomplete weld seams) are not permissible.

Table 9 lists specific ordering information for each material.

<b>Table 9</b>				
<b>Material</b>	<b>Type</b>	<b>ASTM Tubing Spec.</b>	<b>Condition</b>	<b>Max. Recommended Hardness</b>
Stainless Steel	304, 316, 316L	ASTM-A-269, A-249, A-213, A632	Fully Annealed	90 Rb
Copper	K or L	ASTM-B75 B68, B88* (K or L)	Soft Annealed Temper 0	60 Max. Rockwell 15T
Carbon Steel	1010	SAE-J524b, J525b ASTM-A-179	Fully Annealed	72 Rb
Aluminum	Alloy 6061	ASTM B-210	T6 Temper	56 Rb
Monel™	400	ASTM B-165	Fully Annealed	75 Rb
Alloy C-276	C-276	ASTM-B-622, B-626	Fully Annealed	90 Rb
Alloy 600	600	ASTM B-167	Fully Annealed	90 Rb
Carpenter 20™	20CB-3	ASTM B-468	Fully Annealed	90 Rb
Titanium	Commercially Pure Grade 2	ASTM B-338	Fully Annealed	99 Rb 200 Brinell Typical

Note: B88 Copper Tube to be ordered non-engraved



FAILURE OR IMPROPER SELECTION OR IMPROPER USE OF THE PRODUCTS AND/OR SYSTEMS DESCRIBED HEREIN OR RELATED ITEMS CAN CAUSE DEATH, PERSONAL INJURY AND PROPERTY DAMAGE.

This document and other information from Parker Hannifin Corporation, its subsidiaries and authorized distributors provide product and/or system options for further investigation by users having technical expertise. It is important that you analyze all aspects of your application and review the information concerning the product or system in the current product catalog. Due to the variety of operating conditions and applications for these products or systems, the user, through its own analysis and testing, is solely responsible for making the final selection of the products and systems and assuring that all performance, safety and warning requirements of the application are met.

The product described herein, including without limitation, product features, specifications, designs, availability and pricing, are subject to change by Parker Hannifin Corporation and its subsidiaries at any time without notice.

## ASTM Tubing Specifications Outside Diameter/Wall Thickness

It is important to understand that both of the above can affect the ferrule(s) ability to seal on the tubing. We recommend ordering tubing manufactured to the plus (+) side of the outside diameter tolerance. Wall thickness variations can affect pressure ratings and flow characteristics.

The following tables should explain the allowable variations.

### ASTM Dimensional Specifications for Tubing

Table 1 Permissible Variations in Outside Diameter (1)

Table 2 Permissible Variations in Wall Thickness

Table 3 Permissible Variations in Wall Thickness for ASTM B68 and ASTM B75

### ASTM Dimensionable Specifications for Tubing

Table 1 Permissible Variations in Outside Diameter (1)

Tube O.D. Inches	A213 A249	A269	A632	A179	B68 B75	B165 B167	B338	B468	B622	B626			
1/16	±.004	±.005	+ .002	±.004	±.002	+ .002	±.004	±.004	N/A	+ .004 - .005			
1/8			+ .003			+ .003							
3/16			+ .004			±.005					±.0025	+ .004	±.005
1/4													
5/16			±.004			±.004					±.0075		
3/8												±.006	±.010
1/2			±.003			±.003					±.006		
5/8												±.010	±.010
3/4			±.010			±.010					±.010		
7/8												±.010	±.010
1	±.010	±.010	±.010										
1-1/4				±.010	±.010	±.010							
1-1/2	±.010	±.010	±.010										
2				±.010	±.010	±.010							

(1) Cold Drawn Tubing

Table 2 Permissible Variations in Wall Thickness

Tube O.D. Inches	A213	A249	A269	A632	A179	B165 B167	B338	B468	B622	B626
1/16	+20%	±10%	±15%	±10%	+20%	±15%	±10%	±15%	N/A	±12.5%
1/8										
3/16										
1/4										
5/16										
3/8										
1/2										
5/8										
3/4										
7/8										
1										
1-1/4										
1-1/2	+22%				+20%			±10%		
2										

Permissible Variation in Wall Thickness for ASTM B68 and ASTM B75 Copper

Table 3 Wall Thickness (Inches)

Tube O.D. Inches	.010	.020	.028	.035 .049	.065	.083 .095 .109	.120						
1/16	±.001	±.002	±.0025	±.003	±.0035	±.004	±.005						
1/8								±.002	±.003	±.003	N/A	N/A	N/A
3/16													
1/4													
5/16													
3/8													
1/2													
5/8													
3/4													
7/8								±.0015					
1													
1-1/4													
1-1/2	±.002	±.0025	±.003	±.0035	±.004	±.005	±.006						
2													

## Proper Tubing Preparation

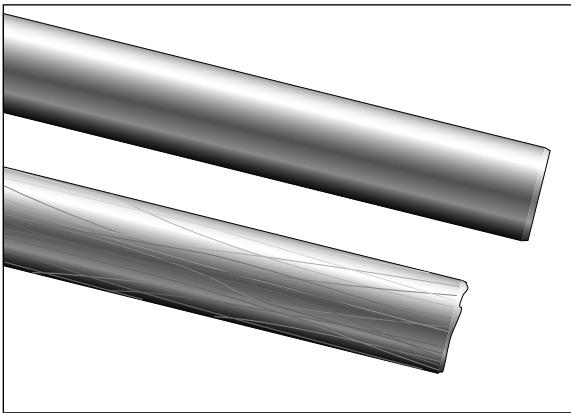
Tube end preparation is essential in assuring leak-free systems. Some important points to consider are:

- Handling Tubing
- Cutting Tube End with either a tube cutter or hacksaw
- Deburring the tube end
- Cleaning the tube end

### Handling Tubing

After tubing has been properly selected and ordered, careful handling is important.

From the receiving dock to point of installation, special attention is necessary to prevent scratching and burring the O.D. of the tubing. This is especially important for gas service. Low-density gases such as helium and argon cannot be sealed with damaged tubing.



Make certain not to drag tubing across any surfaces such as truck beds, shelves, or storage racks, the floor and (or) ground of any plant/construction site. This is important for tubing of all materials, particularly for copper and aluminum. Besides scratching, improper handling can create out-of-round tubing. Out-of-round tubing will not fit the I.D. of the ferrule(s) or the body bore properly and will cause leakage.

## Cutting the Tube End

To insure a good joint, tube must be cut off square. This can be accomplished with either a tube cutter or hacksaw.

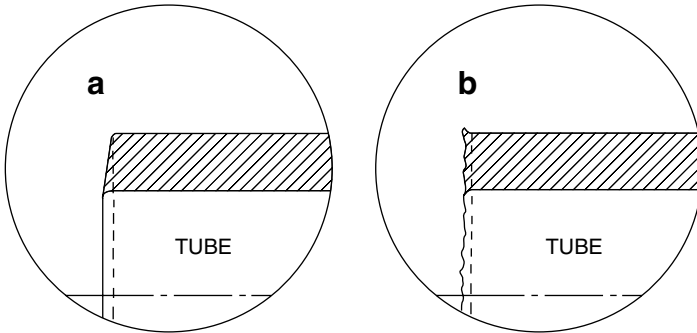
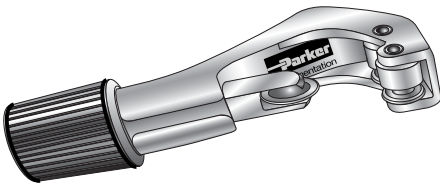


Figure 4 Enlarged section of tube showing differences in tubing cut with a tube cutter (a) and a hacksaw (b).

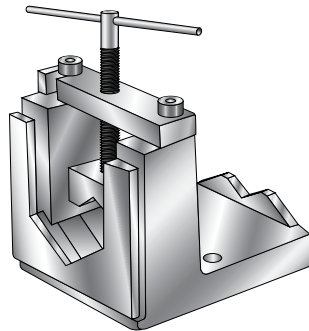


**Tubing Cutters** are more commonly utilized on softer tubing such as copper, aluminum or even “soft” steel tubing. If a tube cutter is utilized with stainless steel tubing, remember that a special cutting wheel, designed for use with stainless steel

tubing should be employed. The use of dull or improper cutting wheels can work harden the S.S. tubing near the cut area. This CAN adversely affect the fittings sealing ability.

### Cutting with a Hacksaw -

When using a hacksaw to cut off tubing, it is essential to use a guide to assure square cut-offs. We recommend our Tru-Kut vise Model #710439. (See below) Further, to minimize the residual burrs, a hacksaw blade of 32 teeth per inch minimum is suggested.



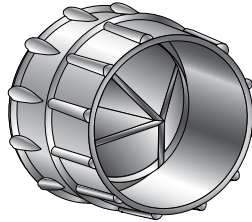


## Deburring the Tube End

The burrs formed by either the tube cutter or hacksaw must be removed prior to assembly to prevent those burrs from eventually damaging the system. O.D. burrs can prevent tubing from seating properly in a fitting body. I.D. burrs can restrict flow, as well as possibly break loose and damage fine filtration elements.

*Note: Do not over deburr the O.D. of tubing.*

You may deburr the tubing with your choice of file(s), or utilize Parker's IN-EX De-Burring tool Model #226. This tool can be used to deburr both the I.D. & O.D. of tubing sizes 1/8" thru 1-1/2".



## Cleaning the Tube End

After you deburr the tubing, it is essential to remove burrs from the tubing line. This can be accomplished by:

1. Flushing with solvent or low pressure compressed air.
2. Swab with lint-free cloth.

Again, this should prevent entrapping one of these small burrs down-stream where it might do some system damage.

## Port Connections

Before the cleaned and deburred tubing can be inserted into the tube end of the body, care should be taken to insure that the port connection is properly prepared and installed so that it will accept the tubing.

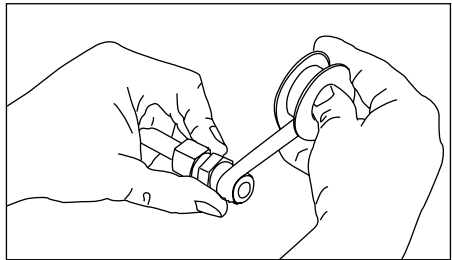
### Installation Assembly - fitting to port Pipe thread port

- Make sure pipe threads are free from nicks, burrs, dirt, etc.
- For use with Teflon® tape.

Apply Teflon® tape to threads starting with first thread. 1-1/2 to 2 turns of tape should be applied in the direction of the male pipe spiral.

- Insert fitting into pipe port and turn it in finger tight.
- Tighten with wrench.

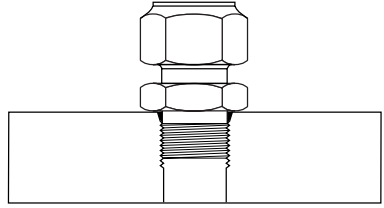
NOTE: If thread sealants are being used - follow manufacturers recommended instructions for application.



## Installation

### Assembly - fitting to port SAE Straight Thread O-ring Fitting (Non adjustable)

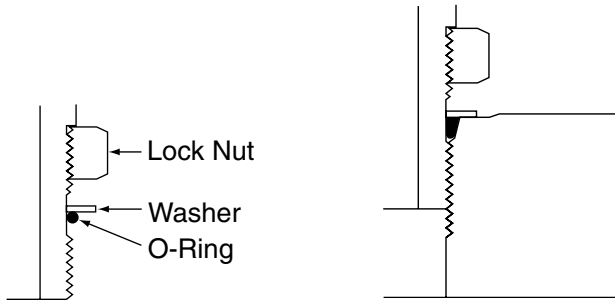
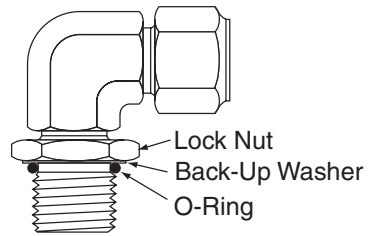
- Make sure both threads and sealing surfaces are free of burrs, nicks & scratches, or any foreign material.
- Lubricate O-ring with system compatible lubricant.
- Tighten to torque level listed in the torque chart on page 32.



## Installation

### Assembly - fitting to port SAE straight thread O-ring fitting (Adjustable)

- Inspect and correct both mating parts for burrs, nicks, scratches or any foreign particles.
- Lubricate O-ring with system compatible lubricant.



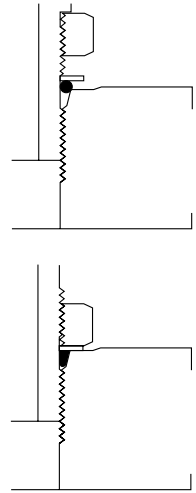
- Back off lock nut as far as possible toward fitting body make sure back-up washer and O-ring are pushed up as far as possible toward upper thread.
- Screw fitting by hand into the port until back-up washer contacts face of the port and continue turning until snug. (Very slight wrenching maybe needed). Back-up washer is now in correct position for assembly.

# Installation

## Assembly - fitting to port

### SAE straight thread O-ring fitting (Adjustable)

- To position the fitting, unscrew by required amount but not more than one full turn.
- To position the fitting, unscrew fitting body by required amount but not more than one full turn.
- Hold fitting in desired position using (2) wrenches and tighten lock nut to torque level listed in the torque chart at bottom of page.
- Hold fitting in desired position and tighten lock nut to torque level listed in the torque chart.



# Installation

## Assembly - port end

### SAE straight thread

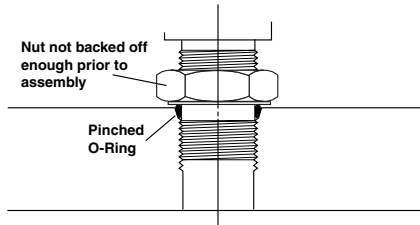
Size	Straight Port		Adjustable Port	
	Torque (in-lbs)	(F.F.F.T.)	Torque (in-lbs)	(F.F.F.T.)
4	245 ± 10	1.0 ± .25	200 ± 10	1.5 ± 25
6	630 ± 25	1.5 ± .25	400 ± 10	1.5 ± 25
8	1150 ± 50	1.5 ± .25	640 ± 10	1.5 ± 25
10	1550 ± 50	1.5 ± .25	1125 ± 50	1.5 ± 25
12	2050 ± 50	1.5 ± .25	1450 ± 50	1.5 ± 25
16	3000 ± 50	1.5 ± .25	2150 ± 50	1.5 ± 25
20	3400 ±100	1.5 ± .25	2800 ±100	2.0 ± 25
24	4500 ±100	1.5 ± .25	3450 ±100	2.0 ± 25

### Notes

- Restrain fitting body on adjustables if necessary in installation.
- Values in charts are for assemblies with O-ring lubricated.
- Use upper limits of torque ranges for stainless steel fittings.

## Installation

Assembly - fitting to port  
SAE straight thread O-ring  
(adjustable)



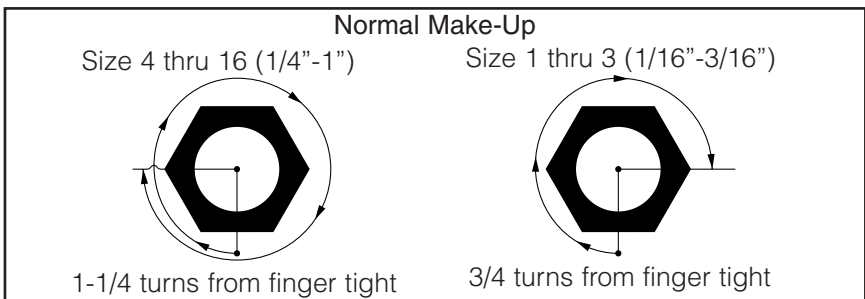
Improper assembly can pinch O-ring causing leaky joint

Nut not backed off enough prior to assembly will pinch the SAE straight thread O-ring.

## Proper Tube Fitting Make-Up

Because of considerable variations in tubing wall thickness and surface hardness, Instrument Tube Fittings are not made up by torque. Rather they are assembled by the following simple instructions:

- Once tubing is bottomed out



If you mark the nut before you start, you will know when you have finished; that you have advanced the nut the required number of turns.

- Caps (PNBZ/BLEN) - Wrench tighten 1-1/4 turns from finger tight (Parts with pre-machined ferrules make-up 1/4 T.F.F.T.)
- Tube Plugs (FNZ/BLP) - Wrench tighten 1/4 turn from finger tight
- Port Connector (ZPC/PC) - Wrench tighten 1/4 turn from finger tight

## Parker CPI™/A-LOK® Fittings on Plastic Tubing

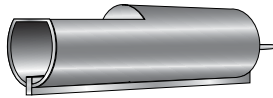
Parker CPI™ /A-LOK® Instrument Fittings can be successfully used on any of the following plastic tubing: nylon, polyethylene, polypropylene, Teflon®, or vinyl. Normal make-up instructions should be followed, (1-1/4" turns from finger tight) sizes 4 thru 16 (3/4 turn from finger tight for size 3" or below) and a properly-sized insert should be used when required. (Please refer to CPI™/A-LOK® Catalog 4230 for insert details). The use of the insert is dependent upon tubing O.D. Tubing 1/2" O.D. and above requires an insert. Softness of the tubing is another guideline for the use of an insert. Tubing that is soft enough to be easily pinched closed with your fingers will require an insert no matter what the O.D. may be.

## Use of Parker Tube Marker and Inspection Gauges

### Tube Marker

Put burnish marks on the tubing quickly and accurately with this easy-to-use tube marker. Also used to check the burnish mark position. (Good for the life of the fitting.)

Tube Marker

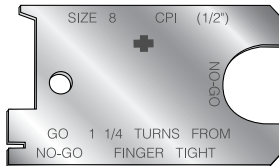


Ensures proper tube depth insertion into the fitting body.

## Inspection Gauges

This handy gauge does double duty. Use the No-Go portion (on one end) to check the tube insertion depth. Use the other end to check the space between the nut and body hex. (Proper initial make-up prevents the gauge from being inserted.)

### Inspection Gauge



This compact C-Ring gauge is for inch and metric sizes. Effectively checks the gap dimensions for proper initial make-up. Can be combined on a key ring for easy handling.

### Gap Gauge



Size	Tubing O.D.
2	1/8"
4	1/4"
6	3/8"
8	1/2"
10	5/8"
12	3/4"
14	7/8"
16	1"

Size		Size	
IN	MET	IN	MET
4"	16	4"	16
6"	12	6"	12
8"	18	8"	18
12"	25	12"	25
16"		16"	

# Parker IPD Ferrule Presetting Tool

## Ferrule Presetting Components

Part Numbers				Hy-Fer-Set Kit Components	
Threads	Size	Body Die	Nut Die	Item	Part No.
1/4"	4	4 Body Die	Size 4 Nut Die	Kit A Hydraulic Ram (size 4-16)	Hydraulic Ram
3/8"	6	6 Body Die	Size 6 Nut Die	Kit B Hydraulic Ram (size 20-32)	Hy-Fer-Set Body Assembly
1/2"	8	8 Body Die	Size 8 Nut Die	Hydraulic Hand Pump	Enerpac Pump P-392
5/8"	10	10 Body Die	Size 10 Nut Die	Hose Assembly	Hose Assembly w/guards
3/4"	12	12 Body Die	Size 12 Nut Die	Carrying Case	Carrying Case
7/8"	14	14 Body Die	Size 14 Nut Die		
1"	16	16 Body Die	Size 16 Nut Die		Size 16 Body Die Adapter
1-1/4"	20	20 Body Die	Size 20 Nut Die		
1-1/2"	24	24 Body Die	Size 24 Nut Die		
2"	32	32 Body Die	Size 32 Nut Die		

NOTE: To preset 1" with "B" tool, a size 16 body die adapter must be used

## IPD Ferrule Presetting Tool Assembly Instructions

Coupler body in hydraulic ram and pump, is a high pressure, screw together coupler. Thread coupler body onto nipple and each end of hose assembly. No tools required.

### Presetting CPI™ /A-LOK® Tube Fitting Ferrules Sizes 1/4" Through 1"

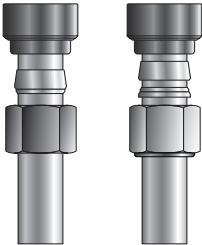
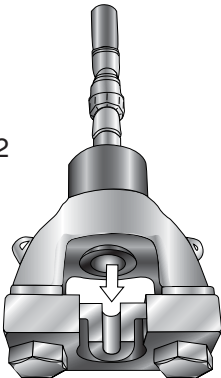


Figure 1

1. Assemble CPI™/A-LOK® nut, CPI™/A-LOK® Ferrule(s) and body die onto tubing as shown in Figure 1. Be sure that the tapered end of the Ferrule(s) point toward the body die.
2. Insert "U-shaped" Nut Die into the back-up plate of the Hydraulic Ram as shown in Figure 2.
3. Insert Tube Assembly, Figure 1 into Nut Die as shown in Figure 3.
4. Close the pressure relief valve on the side of the hand pump. Pump the hand pump until the ram reaches a positive stop. At this point an increase in resistance of the handle will be felt and the nut will bottom against the shoulder of the body die Figure 4.

Figure 2



5. Release the hydraulic pressure by opening the relief valve on the side of the pump. The ram will automatically return to the original position.
6. The ferrule(s) are now preset on the tubing. Remove the preset assembly and pull the body die off the end of the tubing. (If the body die does not pull off by hand, clamp on the outside of the body die and move the tubing back & forth while pulling.) **Do not clamp or pull on the preset ferrule(s) as this could damage a sealing surface.**
7. Insert the preset assembly into a fitting body, and make sure the ferrule seats in the fitting. Tighten the nut on the fitting body until finger tight.
8. Tighten the nut with a wrench the additional amount shown in Table 1 for each connection size. **(If an increase in torque is not felt early in wrench make-up the preset assembly was not properly seated.)** If this happens, tighten the nut with a wrench until the torque increase is felt. Then, loosen nut to the finger tight position, tighten the nut the additional amount shown in Table 1.

Figure 3

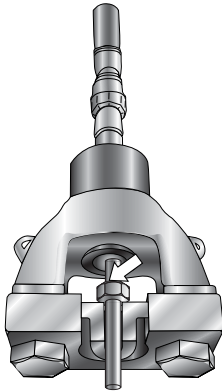


Figure 4

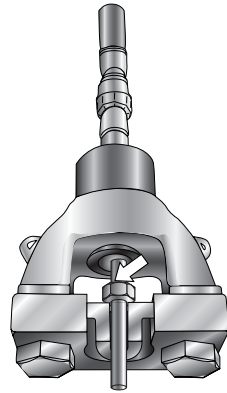


Table 1

Size	4	6	8	10	12	14	16
Turns	1/2	1/2	1/2	1/2	1/2	1/2	1/2



## Pre-setting the CPI™ Tube Fitting Ferrules Size 1-1/4", 1-1/2", and 2"

Figure 1

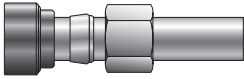


Figure 2

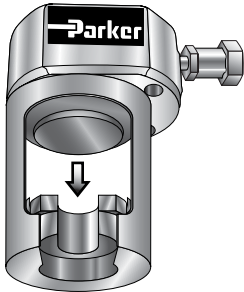
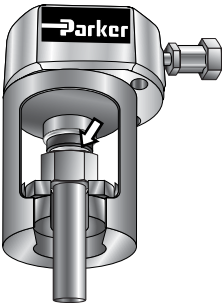


Figure 3



1. Assemble CPI™ nut, CPI™ Ferrule and body die onto tubing as shown in **Figure 1**. Be sure that the tapered end of the ferrule point toward the body die.

2. Insert “U-shaped” Nut die into the Nut Die Adapter of the Hydraulic Ram as shown in **Figure 2**.

*NOTE: For size 32 the nut die adapter is not needed and must be removed before inserting the nut die.*

3. Insert Tube Assembly, **Figure 1** into Nut Die as shown in **Figure 3**.

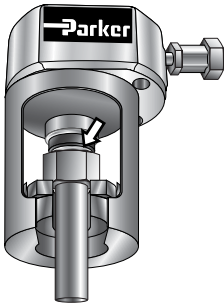
4. Close the pressure relief valve on the side of the hand pump. Pump the hand pump until the ram reaches a positive stop. At this point an increase in resistance of the handle will be felt and the nut will bottom against the shoulder of the body die **Figure 4**.

5. Release the hydraulic pressure by opening the relief valve on the side of the pump. The ram will automatically return to the original position.

6. The ferrule(s) are now preset on the tubing. Remove the preset assembly and pull the body die off the end of the tubing. (If the body die does not pull off by hand, clamp on the outside of the body die and move the tubing back & forth while pulling.) **Do not clamp or pull on the preset ferrule(s) as this could damage a sealing surface.**

7. Insert the preset assembly into a fitting body, and **make sure the ferrule seats in the fitting**. Tighten the nut on the fitting body until finger tight.

Figure 4



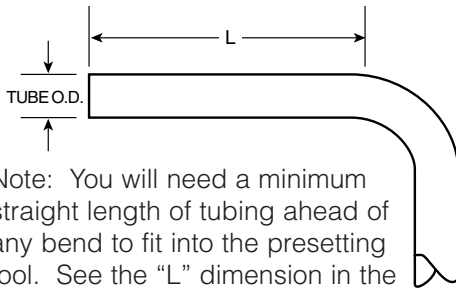
8. Tighten nut with a wrench the additional amount shown in **Table 1** for each connection size. **(If an increase in torque is not felt early in wrench make up the preset assembly was not properly seated.)** If this happens, tighten the nut with a wrench until torque increase is felt. Then, loosen nut to the finger tight position, tighten nut the additional amount shown in **Table 2**.

Table 2

Size	20	24	32
Turns	5/8	5/8	3/4

**PLEASE NOTE: Pressure ratings for all Parker Hannifin instrumentation fittings are different because tubing thickness can vary widely. All instrumentation fittings are designed so the tubing is always weaker than the fitting. Thus the pressure rating of the fitting is contingent on the pressure rating of the associated tubing.**

### Minimum Tubing Lengths

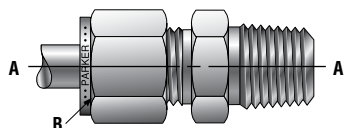


Note: You will need a minimum straight length of tubing ahead of any bend to fit into the presetting tool. See the “L” dimension in the chart for each tube O.D. size.

“L” Chart	
Tube O.D.	“L”
1/4”	2”
3/8”	2-1/8”
1/2”	2-3/8”
5/8”	2-3/8”
3/4”	2-3/8”
7/8”	2-1/2”
1”	2-5/8”
1-1/4”	3”
1-1/2”	3-3/8”
2”	4-1/4”

### Proper Tube Fitting Remake Instructions

A disassembled joint can be remade simply by retightening the nut to the position of the original make up. For maximum number of remakes, mark the fitting and nut before disassembly. Before retightening, make sure the assembly has been inserted into the fitting until the ferrule(s) seats in the fitting. Retighten the nut by hand. Rotate the nut with a wrench to the original position as indicated by the previous marks lining up. (A noticeable increase in mechanical resistance will be felt indicating the ferrule is being re-sprung into sealing position.) Then snug the nut 1/12 turn (1/2 hex flat) as shown from A to B, past the original position.



## The Parker P32 Rotary Wrench

### Size 1-1/4" thru 2"

The patent pending rotary wrench assembles and disassembles large size CPI™ and A-LOK® fittings in place in the field safely and effortlessly. The Rotary Wrench reduces long-term maintenance costs.

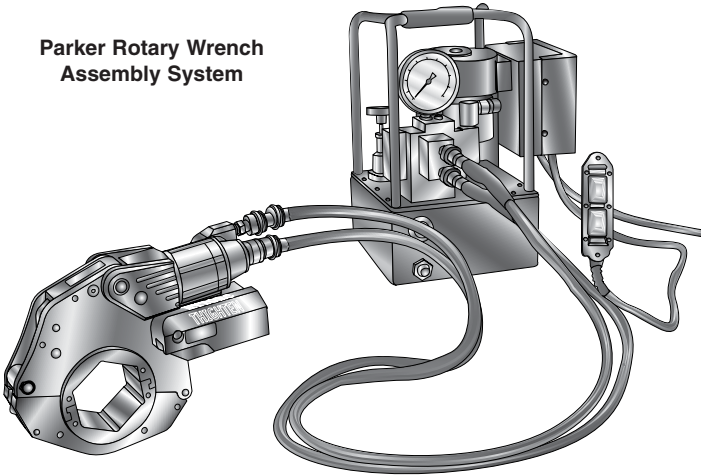
To reach the stage of assembly, follow these steps:

1. Pin reaction pad "F" to rotary wrench.
2. Open outer and inner rotary wrench hinges by loosening (2) cap screws.
3. Select proper split insert (20-24-32) to fit tube nut hex. Place split insert in rotary wrench head. Make certain drive teeth mesh.
4. Re-tighten inner, then outer cap screws to secure rotary wrench head and hex insert.
5. Position rotary wrench's hex insert on tube fitting nut.
6. Insert properly prepared tubing into tube fitting. Make certain to feel tubing bottom against stop in fitting body. Finger-tighten the nut and ferrule assembly. This eliminates the need for hydraulic pre-setting and hand wrench tightening. No bulky wrenches to create safety hazards.
7. Use the ratcheting action of the PAK-32 Rotary Wrench to find "wrench tight" prior to assembly. By hand, use the rotary wrench to draw the nut and ferrule(s) to their proper position by "wrench" tightening the assembly until a sharp rise in torque is felt.
8. Place hex wrench in "tighten" slot of reaction pad "F", and secure open end to tube body hex.
9. Mark nut and body hex to indicate starting point
10. Press advance button on remote control and release after each 18° split insert rotation. Repeat sequence until fitting is correctly assembled to 1-1/2 turns.

Note: Correct make-up of 1-1/2 turns should always be verified by relative alignment of marks on nut and body.

For more information, see Catalog 4290-B2 or P32 Video.

**Parker Rotary Wrench Assembly System**



**Note:** Customer Power Supply



Note: You will need a minimum straight length of tubing ahead of any bend to fit into the pre-setting tool. See the "L" dimension in the chart for each tube O.D. size.

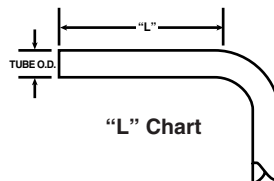
**Parker Rotary Wrench Assembly Kit**

Part Number				Hy-Fer-Set Kit Components
Threads	Size	Body Die	Nut Die	Item
1-1/4"	20	20 Body Die	Size 20 Nut Die	Kit B Hydraulic Ram (size 20-32)
1-1/2"	24	24 Body Die	Size 24 Nut Die	
2"	32	32 Body Die	Size 32 Nut Die	

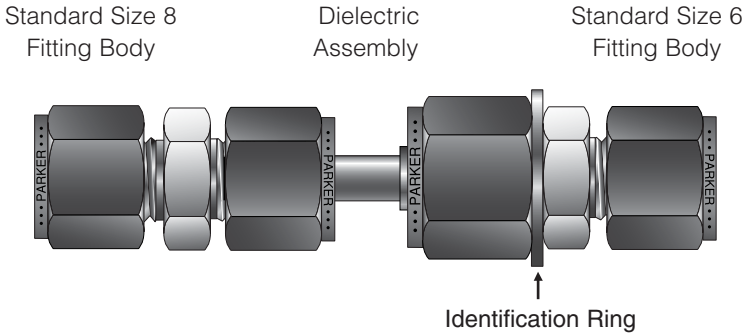
Tube O.D.	"L"
1-1/4"	3"
1-1/2"	3-3/8"
2"	4-1/4"

Size	20	24	32
Turns	5/8	5/8	3/4

Table 2

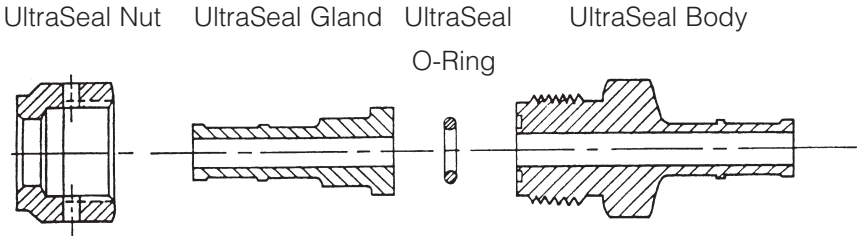


# Dielectric Fittings



1. Place Identification Ring over size 8 fitting body.
2. Insert size 8 (dielectric end) into standard fitting body and tighten nut until finger tight. Tighten with wrench until nut contacts identification ring.
3. Insert tube end with pre-set nut and ferrule(s) into fitting body and tighten until finger tight. Tighten with wrench 1/4 turn from finger tight.

# Proper High Integrity Couplings Installation

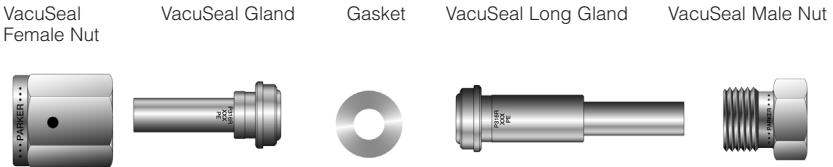


## UltraSeal

A positive seal is achieved by advancing the nut no less than 1/4 turn from finger tight position. When a sharp rise in torque is felt, the sealing faces have met and the O-ring seal is compressed into its groove.

UltraSeal is capable of repeated remakes; advance the nut to a finger tight position and wrench until a sharp rise in torque is felt.

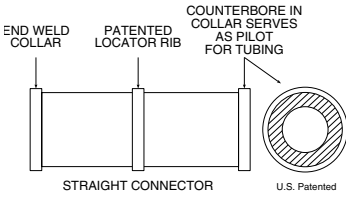
## VacuSeal



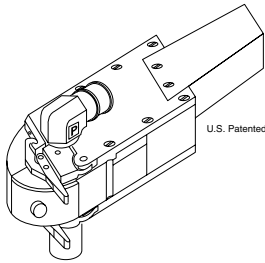
Remove the protector cap from the toroid. Place the gasket into the female nut where applicable. Assemble components and snug finger tight. Holding a backup wrench stationary, tighten the female nut 1/8 turn past finger tight for 316-SS or nickel gaskets. Upon remake a new gasket should be installed each time.

# Proper Installation of Weld Fittings

## Automatic Butt weld

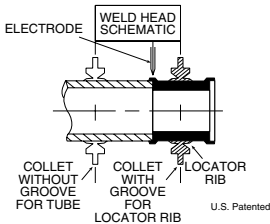


**Figure 1** - The Automatic Butt weld fitting has a locator rib positioned a fixed distance from the end weld collar.



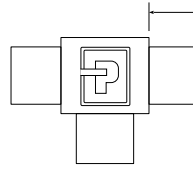
**Figure 2** - The orbiting electrode is precisely positioned over the end collar by engaging the locator rib within the weld head.

**Note:** The weld head shown is for illustration only.

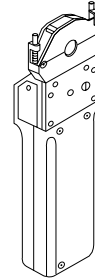


**Figure 3** - The orbital welder electrode is shielded within the stationary head and rotates 360° to produce uniform, accurate welds.

## MiniButt weld Tube Fittings

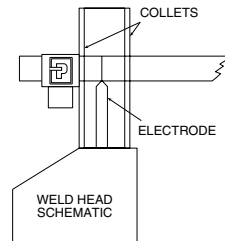


**Figure 1** - The Mini-Butt weld tube fitting has a controlled distance from the fitting body shoulder to the end of the tube stub.



**Figure 2** - The orbiting electrode is positioned over the fitting end by batting against the body.

**Note:** The weld head shown is for illustration only.



**Figure 3** - The orbital welded electrode is shielded within the mini-weld head and rotates 360° to produce uniform, accurate, 100% penetration welds.

## Purpose

Parker Orbital Tube Weld fittings are designed for applications requiring the reliability of a welded tubing system. They were developed specifically for installation using automatic, orbital TIG (Tungsten/Inert Gas) welding equipment.

Parker Weld fittings offer the easiest, fastest and most reliable way to fabricate welded systems.

Parker MiniButtweld Tube Fittings are available in VIM/VAR stainless steel in tees, 90° elbows, reducers and mini glands.

Orbital Tube Weld Fittings are available in AOD/VAR and VIM/VAR stainless steel in straight unions, tees and 90° elbows. Orbital Buttweld ends are also available with male pipe and compression tube connections.

For high integrity mechanical connections for positive pressure and vacuum applications in ultra-pure systems, Buttweld fittings may be specified with an UltraSeal or VacuSeal Coupling.

## **Pressure**

Buttweld pressure ratings will be governed by the tubing wall thickness selected for a particular application.

Buttweld working pressures are rated at room temperature based on a 4 to 1 design factor. Pressure ratings are calculated in accordance with ANSI Power Piping Code B31.1.

## **Interior (I.D.) Surface Finishes**

Orbital Tube Weld and MiniButtweld Tube Fittings can be supplied with extremely smooth internal surface finishes to meet requirements of high purity tubing systems. Electropolished internal surfaces can also be provided. Consult your local Parker distributor or factory for more details.

## **Automatic Buttweld Principles of Operation**

Parker's patented Automatic Buttweld tube fittings are designed specifically for installation by means of automatic, orbital TIG (Tungsten/Inert Gas) welding machines. Any one of several makes may be used; their names are available from Parker upon request.

In an orbital welder, the electrode is contained and shielded within the head (see Figure 3 page 49). The head itself does not rotate; rather, the electrode rotates 360° within the head.

An orbital-type welder utilizes high-frequency current pulses, producing low-frequency arc pulses. These yield considerable arc penetration into the metal at low current values. As a result, arc-pressure variations are kept low and the resulting agitation of the weld puddle eliminates porosity and refines the grain structure at the weld area.



## To Operate a TIG Welding Machine

1. Place the Automatic Buttweld fitting into the weld head, placing the locator rib in the corresponding locator groove. For MiniButtweld, place the fitting into the mini-weld head and position the fitting body shoulder against the tube clamp assembly.
2. Bottom the tubing (square cut, deburred) in the fitting end collar and close the second collet, which locks the tubing to the weld head. Engage the second collet.
3. Close the weld head. Press the “Start” button.

Depending on the size and wall-thickness of the tubing, the welding machine parameters can be programmed to make one or more 360° passes. Once programmed, the machine will repeat the operation precisely, within very close tolerances and in areas too tight for manual welding.

## Automatic Centering of Electrode

Each Automatic Buttweld fitting has an external locator rib (patented) situated a fixed distance from the end welding collar (see Figure 1 page 49). When the welder-head clamping collet is applied, the rib fits snugly within a corresponding annular groove in the collet.

As the electrode orbits, the collet follows the rib, maintaining precise positioning of the electrode, over the end collar (see Figure 3 page 49). Thus, electrode and welding positioning are always accurately aligned.

## End Weld Collar

On the O.D. of each Automatic Buttweld fitting end, there is an end collar. During welding, the electrode tip is positioned directly over this end collar. As the electrode orbits, a uniform bead on the buttseam is achieved.

Like the locator rib, the end collar is an exclusive Parker feature.

## Piloted Mating of Tube to Fitting

The end collar of the Automatic Buttweld fitting is counter bored. This serves as a pilot for the tube end, guiding it accurately into the fitting end.

Like the locator rib, the end collar is an exclusive Parker feature.

## Compensation for Tube-Thickness Variations

The outside diameter of the end collar is designed to compensate for normal variations in the nominal O.D. of instrumentation tubing.

In addition, each fitting is machined for the specific wall thickness being specified.

These two features allow for the fitting bore and tube I.D. to be carefully matched. Thus, an ABW connection will allow for full flow, with no protrusions extending into the flow path. This will reduce a major cause of turbulence.

## Socket Weld Fittings

### General

The weld used in joining a tube to a socket weld tube fitting is like any other type of “tee” weld. The root (i.e., the point of intersection of the outside of the tube and annular end area of the fitting) must be included in the weld zone.

Careful welding procedures are normally followed to assure that this root area is included in the weld. If penetration is not achieved, the joint will have two built-in stress risers which may greatly reduce the strength of the weld. Upon application of an extreme load, these stress risers could result in cracks which could propagate out through the weld or tube depending upon the direction of the greatest load.

Often to achieve full root penetration in TIG welding of stainless steels, a fusion pass will be made first, followed by a final pass utilizing a filler rod to achieve the desired fillet size.

### Assembly

The codes applicable to the welding of socket weld fittings require that the tube be inserted into the socket until bottomed against the stop. The tube is then to be backed out approximately 1/16 of an inch and then welded.

If the tube is not backed out, but welded when against a flat bottom stop, the contraction of the weld fillet and fitting socket can combine to produce a static stress on the weld. During thermal transients, the fitting and the portion of the tube within the fitting may experience a differential rate of heating or cooling, again adding to the stress level in the weld.

## Tacking

If the weld joint is to be “tacked” before welding, it is recommended that the “tack” weld build-up be held to a minimum.

Excessive build-up on the “tack” may cause an interrupted final bead and a stress riser or lack of complete fusion.

## Backing Gas

Backing gas is an inert gas used to flood the interior of the fittings and tube system during welding. It serves the same purpose internally as the shielding gas used in TIG or MIG welding. By reducing the interior oxygen level to as low as practicable, it also serves to control the combustion of contaminants that could affect weld quality.

When a backing gas is not used and nearly 100% weld penetration is achieved, blisters will tend to form on the internal tube wall. This will result in scale which may later break loose. Therefore, in 0.050 wall or thinner tube or where the wall thickness is such that the selected weld process may burn through, the use of a backing gas is mandatory.

In most cases the backing gas will be argon or helium connected to the system through a control regulator. Flow rates, while small, should be high enough to purge the system. Welds should be made in downstream sequence from the gas connection.

Note that the entire system should be purged to insure that there are no openings that will allow air to be drawn into the system.

The use of backing gas, while often not mandatory, will give a better weld joint. This is because the effects of contaminate combustion by-products are eliminated and because the welds are made and cooled under a shielded atmosphere, thus eliminating internal scaling or blistering.

## Welding Methods 300 Series Stainless Steels

May be welded by the TIG, MIG, or stick arc-weld process.

TIG welding is recommended as being best for welding Weld-lok systems because it allows better operator control of heat penetration and filler material deposition.

Stick arc welding is not recommended in many cases because of the likelihood of excessive burn-through and improper root penetration. In all cases where stick welding is used, it is recommended that backing gas be used.

MIG welding gives the same characteristics as stick electrode welding with faster deposition of the filler material.

As this process runs “hotter” than the stick process, the use of a backing gas is mandatory. It should be noted that in welding the relatively small fitting sizes found in the Weld-lok line, filler deposition rate economies are not a factor and therefore the MIG method is not commonly applied.

## C1018 Steel Fittings

May be welded by the TIG, MIG, stick and oxyacetylene methods. As scale formation remains a problem, the use of a backing gas is still recommended.

## Carbide Precipitation

When unstabilized stainless steels are heated to 800° - 1500° F during welding, the chromium in the steel combines with the carbon to form chrome carbides which tend to form along the grain boundaries of the metal (carbide precipitation). This lowers the dissolved chromium content in these areas and thus lowers their corrosion resistance, making them vulnerable to intergranular corrosion. Carbide precipitation is reduced by holding the carbon content of the material to a very low value. This limits the amount of carbon available to combine with the chromium. The “L” series (extra low carbon) stainless steels are often used for this purpose, but their use reduces system design stress by approximately 15%. Parker Weld-lok fittings are made from a select 316 series with carbon content in the low range of 0.04 to 0.07 percent. This results in a welded fitting with good corrosion resistance and a high strength factor.

All Parker Weld-lok fittings in stainless steel are supplied in the solution-treated condition, capable of passing ASTM-A-262 Tests for Detecting Susceptibility to Intergranular Corrosion.

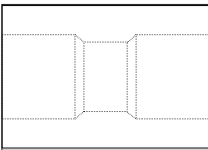
## ARC Polarity

When welding Weld-lok fittings, best results will be obtained by the following arc polarities:

TIG - Direct Current, straight polarity

MIG - Direct Current, reverse polarity

STICK - Polarity dependent on rod used



**Parker Weld-lok Union**

For further information on Parker's Welded Fittings refer to Parker's Welded Fittings Catalog 4280.

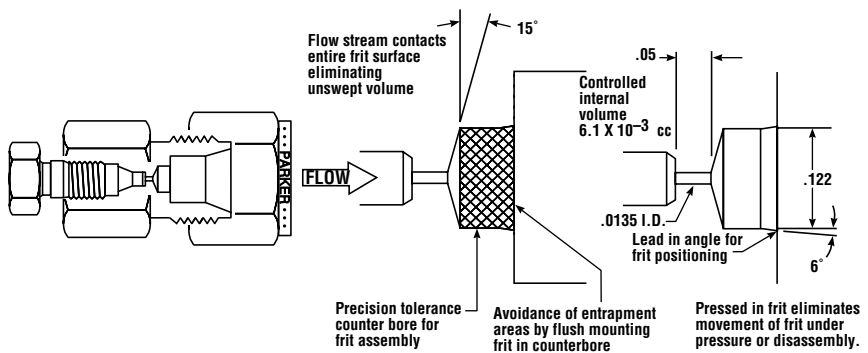
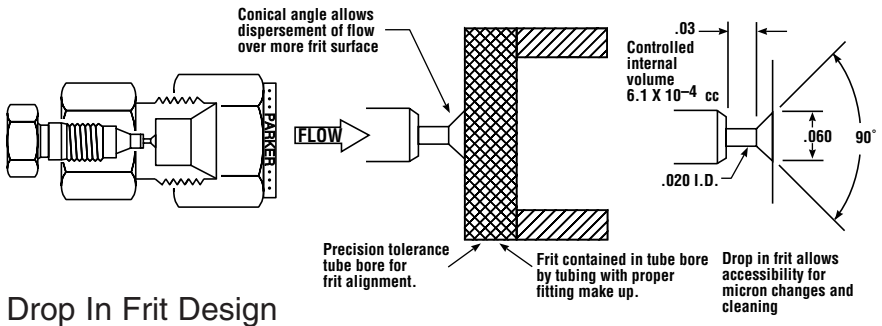
# Analytical Tube Fittings

Parker Hannifin's Instrumentation Connectors Division offers a full line of analytical tube fittings. These fittings range from elbows, tees, and male connectors to low dead volume unions and column end fittings. Parker incorporates various features in the column end fittings to effectively address various industry concerns.

- Peak symmetry for critical analysis
- Internal volume reduction

As the observed media/substance migrates through the HPLC column, a "peak" or "band" is created that denotes the level of concentration.

It is critical to maintain peak symmetry in order to get an accurate reading when processing the observed media/substance. Parker Hannifin, in the development of a line of column-end fittings, has incorporated some key features that help to maintain this "peak symmetry" in HPLC columns.



Under most circumstances in liquid chromatography (LC), the flow through the tube is laminar, the so-called Poiseuille flow, and in this situation the velocity at all points is parallel to the tube axis.

Due to the importance of maintaining smooth laminar flow after injection of the sample into the HPLC column, Parker incorporated a small conical angle on the fitting body internals. This conical angle helps to equally disperse the sample into the column tube. One of the key requirements of an effective column-end fitting is not to delay or disturb the flow of the sample through the instrument (HPLC column).

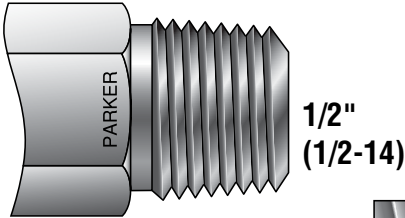
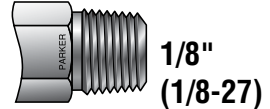
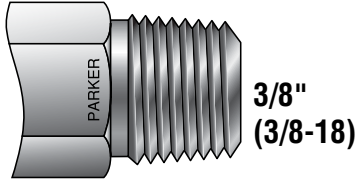
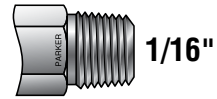
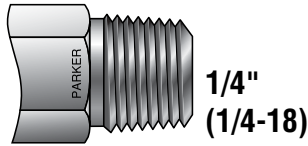
A second area to address is the minimizing of tube fitting internal “cavities”. A cavity is a short section of the flow path where the flow-channel diameter increases. It can occur where tubes are connected to each other (low dead volume connector) or to injectors, columns (column-end fittings), and detectors. Large cavities can seriously degrade the resolution of any chromatogram, but they can be easily avoided through awareness of the geometric design details of the fittings and connecting parts manufactured by various companies.”

Parker Hannifin has incorporated those critical features in both a low dead volume union connector and the column-end fitting bodies. First, the utilization of inverted 1/16” connections to greatly reduce internal volume or cavities. To eliminate any confusion or occurrence of incorrect effective tube make-up, the port depths (body bore dimensions) are identical by size throughout the entire Parker Hannifin instrumentation line. Second, Parker closely monitors the dimensions of the small through-hole utilized in these low dead volume connectors.

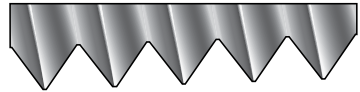
# Thread and Tube End Size Charts

## Thread and Tube End Size Chart (U.S.A.)

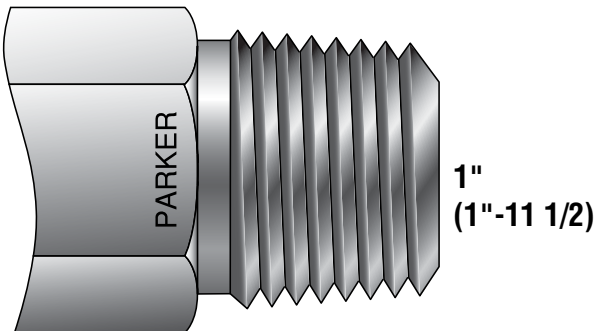
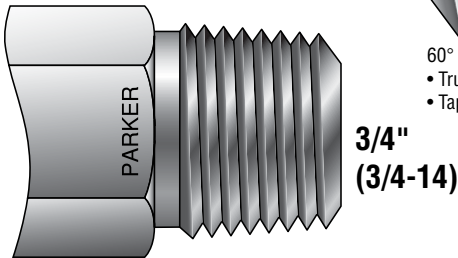
### NPT Thread



### American Standard Pipe Thread (NPT)

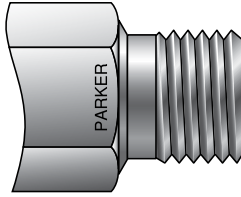


- 60° thread angle
- Pitch measured in inches
- Truncation of root and crest are flat
- Taper angle 1°47'

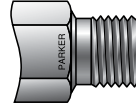


# Thread and Tube End Size Chart (International)

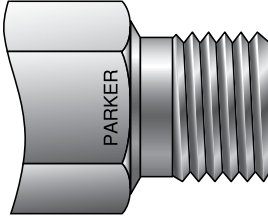
## Straight Thread



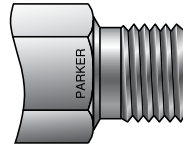
**1/2-20**



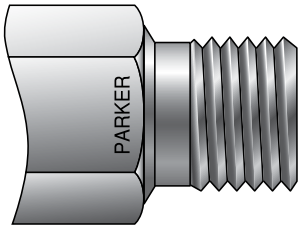
**5/16-24**



**9/16-18**



**7/16-20**

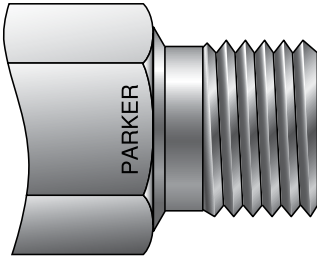


**3/4-16**

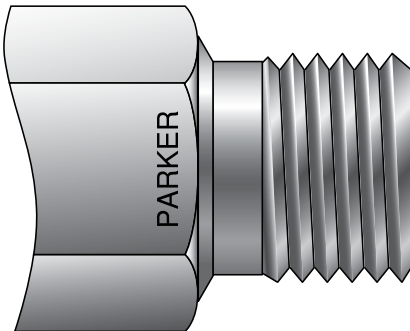
**American Standard  
Unified Thread (Straight)**



- 60° thread angle • Pitch measured in inches
- Truncation of root and crest are flat
- Diameter measured in inches



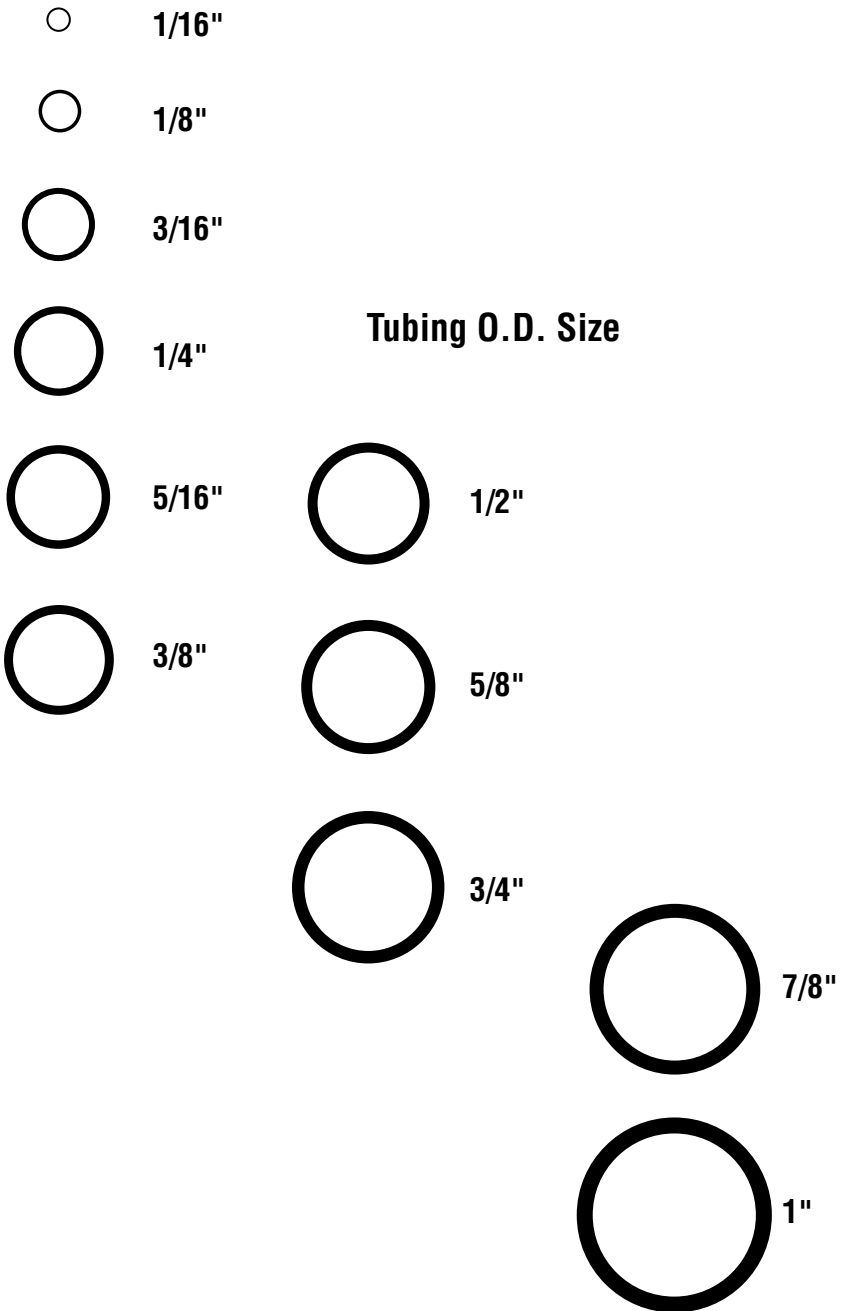
**7/8-14**



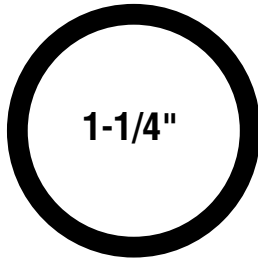
**1-1/16-12**



# Thread and Tube End Size Chart (U.S.A.)

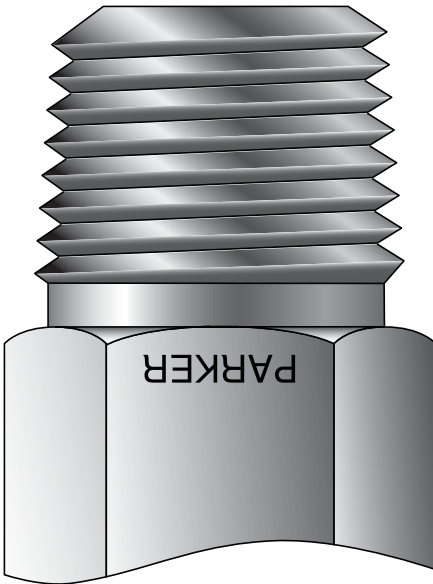


# Pipe and Tube End Size Chart (U.S.A)



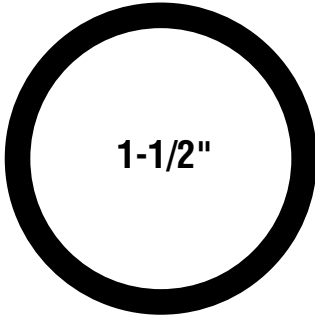
**Tubing  
O.D. Size**

**1-1/4"**



**NPT Thread**

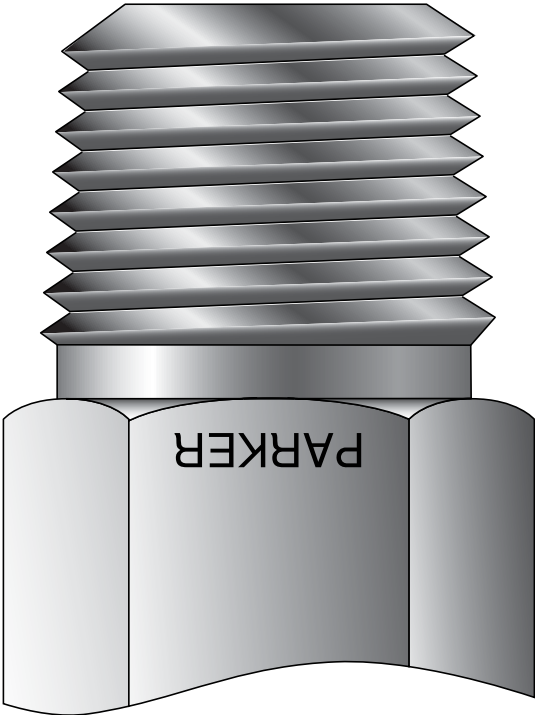
# Pipe and Tube End Size Chart (U.S.A)

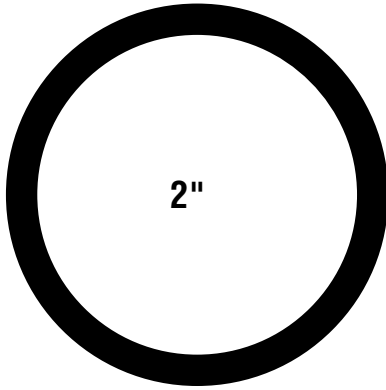


**Tubing  
O.D. Size**

**1-1/2"**

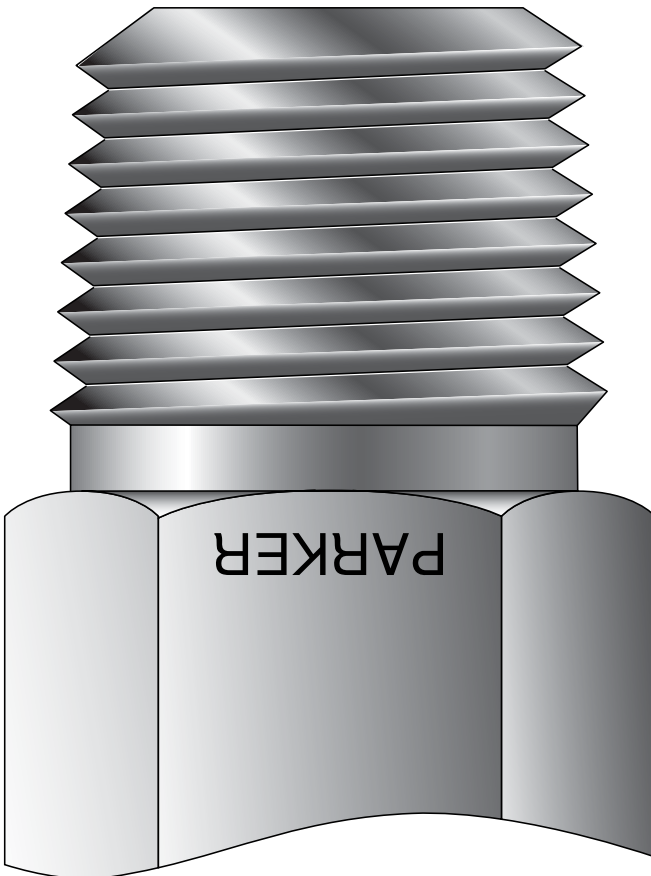
**NPT Thread**





**Tubing  
O.D. Size**

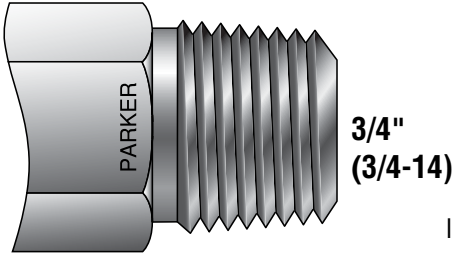
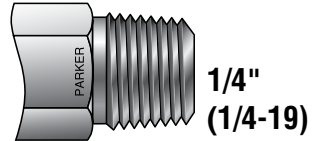
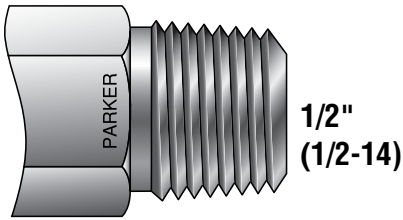
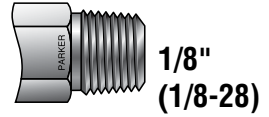
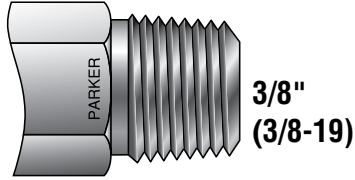
**2"**



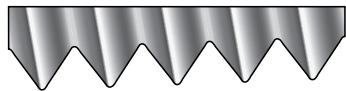
**NPT Thread**

# Thread and Tube End Size Chart (International)

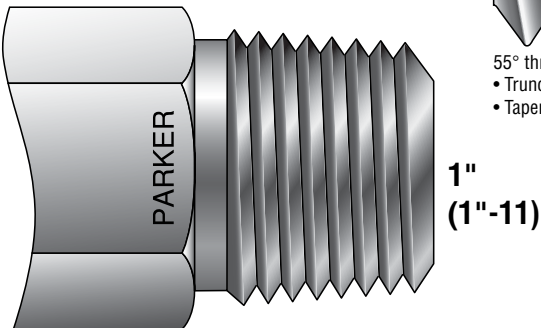
## BSPT Tapered Thread



International Organization  
for Standards  
**(ISO 7/1)**

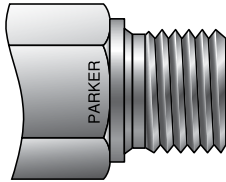


- 55° thread angle
- Pitch measured in inches
- Truncation of root and crest are round
- Taper angle 1°47'

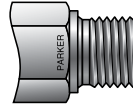


# Thread and Tube End Size Chart (International)

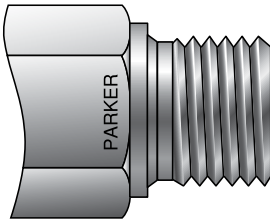
## BSPP Parallel Thread



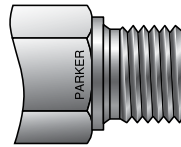
**3/8"**  
**(3/8-19)**



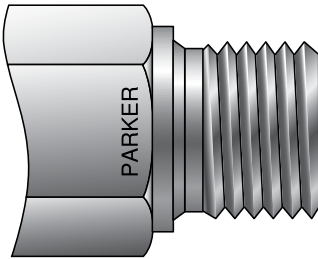
**1/8"**  
**(1/8-28)**



**1/2"**  
**(1/2-14)**



**1/4"**  
**(1/4-19)**

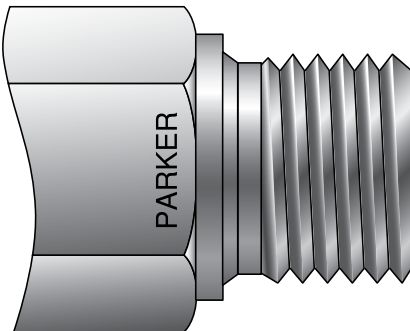


**3/4"**  
**(3/4-14)**

**International Organization  
for Standards  
(ISO 228/1)**

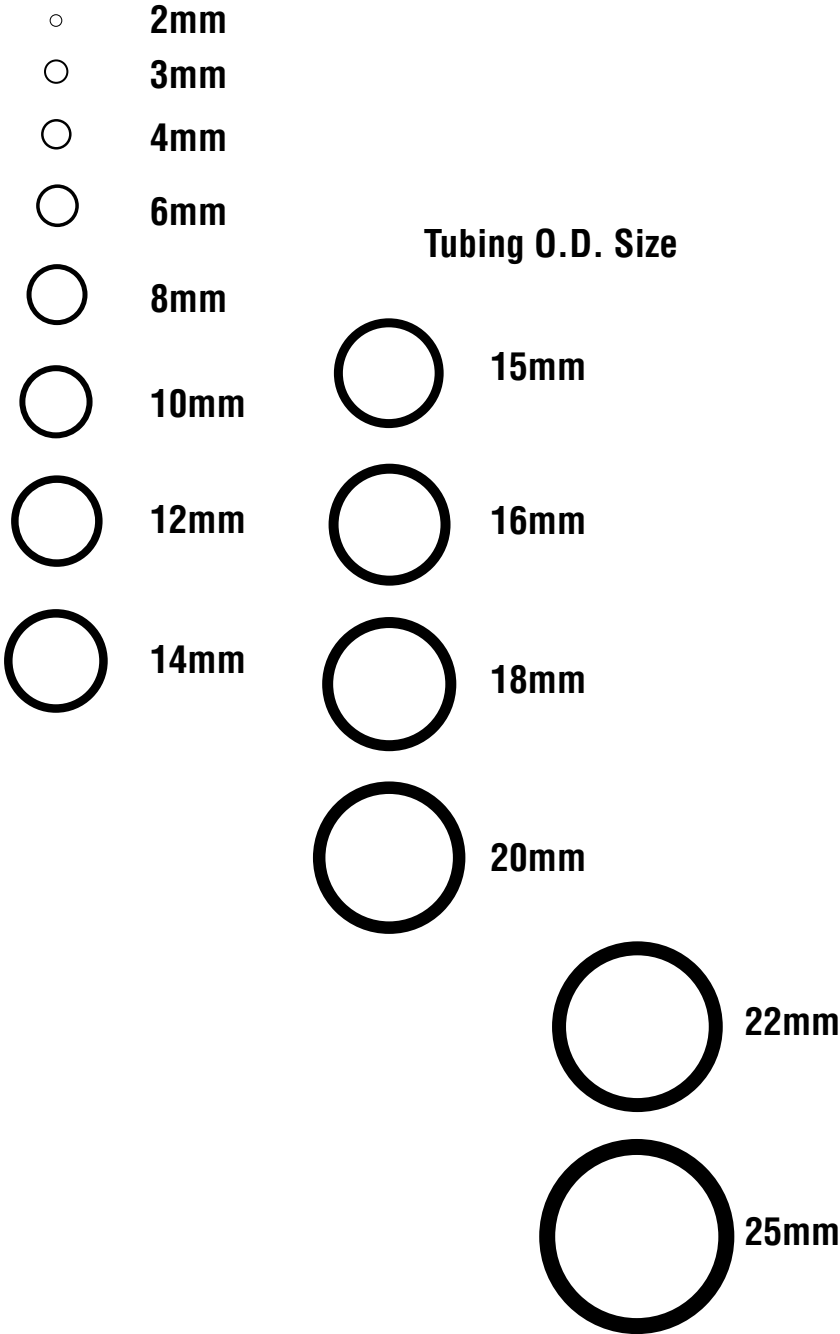


- 55° thread angle
- Pitch measured in inches
- Truncation of root and crest are round
- Diameter measured in inches



**1"**  
**(1"-11)**

# Thread and Tube End Size Chart (International)



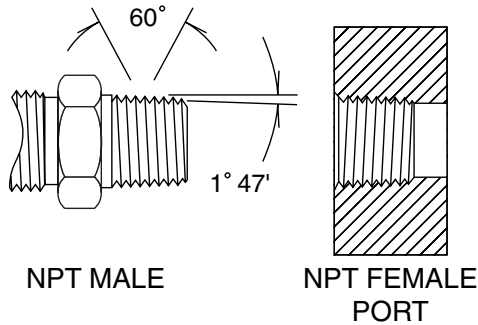
# Thread Identification

We are frequently asked to explain the differences in various types of threads, as piping specifications and (or) equipment are designed with the following threaded connections:

1. NPT
2. BSPT
3. BSPP
4. Screw Thread
5. S.A.E. Straight Thread
6. Metric Thread

## NPT Thread

NPT, National Pipe Thread or pipe taper is the most commonly used pipe thread in the United States and Canada.



**Figure 1** NPT (National Pipe Taper)

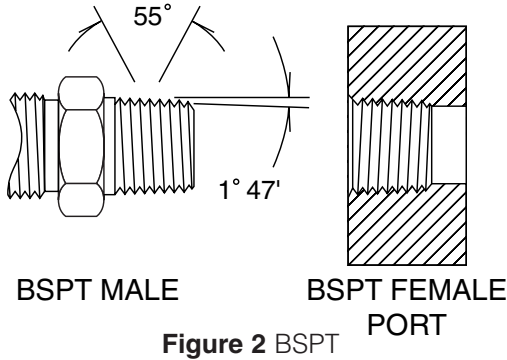
## Characteristics of NPT

1. Thread Pitch measured in inches.
2. Root & Crest Truncation are flat.
3. 60° Thread Angle
4. Taper Angle 1° 47'

Parker's Instrumentation Products Division machines this thread on all CPI™, A-LOK® as well as on pipe & pipe adapter fittings where N.P.T. is designated. All male threads are rolled for strength and durability. Parker IPD's NPT threads meet the standards set forth by ANSI B 1.20.1



## BSPT - British Standard Taper



Characteristics of BSPT

1. Taper Angle  $1^{\circ} 47'$
2.  $55^{\circ}$  thread angle
3. Pitch can be measured in millimeters or inches
4. Thread truncation is round

BSPT threads are different from and will not substitute for N.P.T. threads.

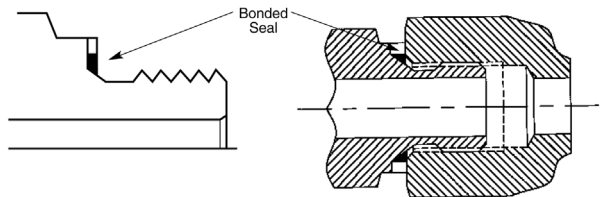
The following standards are equivalent to B.S.P.T.

- a. ISO 7/1 (International Standards Organization)
- b. DIN 2999 (Deutsche Industrial Norme)
- c. JIS B0203 (Japanese Industrial Standard)
- d. BS 21 British Standard

## BSPP - British Standard Parallel Pipe

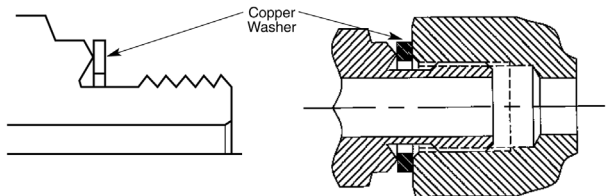
### Form A

A self centering taper is used at the hex which centers a "Bonded" washer (usually metal and elastomer) to seal to the surface surrounding the female thread.



### Form B

A metal gasket (usually copper) performs the seal between the face of the body and the face of the female threaded component. For Form "B" replace "R" in P/N with "BR".



**Figure 3** BSPP

## Characteristics of BSPP

1. 55° thread angle
2. Thread pitch measured in inches
3. Thread diameter measured in inches
4. Root/Crest Truncation round

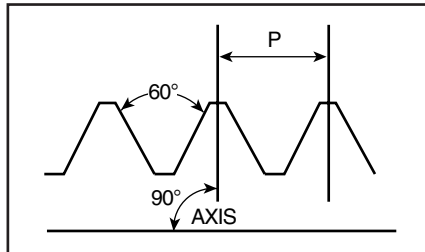
A parallel thread form uses the threads for holding power only and seals by means of an O-ring and retainer ring.

The following standards are equivalent to B.S.P.P.

- a. ISO 228/1 (International Standards Organization)
- b. DIN 3852 Part 2 & Parallel threads (Deutsche Industrial Norme)
- c. JIS B0202 (Japanese Industrial Standard)
- d. BS 2779 (British Standard)

## Unified Screw Threads

These are very common threads utilized on valves and fitting stems, nut and fitting end threads. They are straight, **NOT** tapered threads used for holding power.



**Figure 4**

Screw threads are denoted by the following:

For instance:      **5/16**      -      **20**  
Thread                      Number of  
Diameter                  Threads per inch

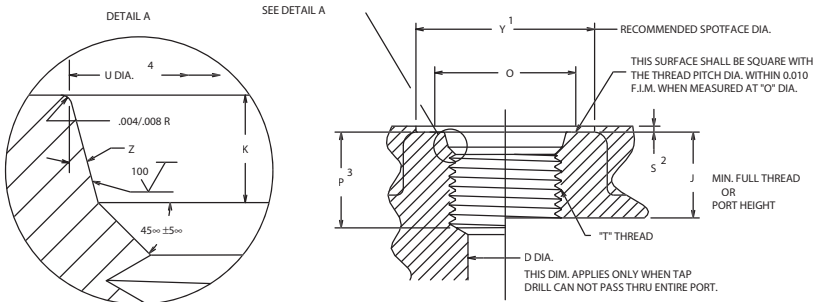
In general - screw threads can be further classified into various types of pitch' (UNF) Unified Fine Pitch - (UNC) Unified Coarse - (UN) Unified Constant.

These classifications are determined by the relationship of threads per inch to outer diameter.

**Note:** For further information on thread pitch, please refer to ISO standards handbook or H-28 handbook.

### SAE Straight Thread Port (SAE J1926)

Parker straight thread fittings shown are for connection with the SAE straight thread port as shown here. Basic port dimensions are give in Fig. 5 below. This port is the same as MS16142. It is also similar to, but dimensionally not the same as MS 33649 and AND 10050.



Tube O.D.	Thread Size	D Min. Dia.	J		O Min. Dia.	P		U		Z
			Min. Full Thd. Depth	K +.015 - .000		Min. Tap Drill Depth	S Max	+ .005 - .000 Dia.	Y Dia.	
1/8	5/16-24	0.062	.390	.074	.438	.468	.062	.358	.672	12
3/16	3/8-24	0.125	.390	.074	.500	.468	.062	.421	.750	12
1/4	7/16-20	0.172	.454	.093	.563	.547	.062	.487	.828	12
5/16	1/2-20	0.234	.454	.093	.625	.547	.062	.550	.906	12
3/8	9/16-18	0.297	.500	.097	.688	.609	.062	.616	.969	12
1/2	3/4-16	0.391	.562	.100	.875	.688	.094	.811	1.188	15
5/8	7/8-14	0.484	.656	.100	1.000	.781	.094	.942	1.344	15
3/4	1-1/16-12	0.609	.750	.130	1.250	.906	.094	1.148	1.625	15
7/8	1-3/16-12	0.719	.750	.130	1.375	.906	.094	1.273	1.765	15
1	1-5/16-12	0.844	.750	.130	1.500	.906	.125	1.398	1.910	15
1-1/4	1-5/8-12	1.078	.750	.132	1.875	.906	.125	1.713	2.270	15
1-1/2	1-7/8-12	1.312	.750	.132	2.125	.906	.125	1.962	2.560	15
2	2-1/2-12	1.781	.750	.132	2.750	.906	.125	2.587	3.480	15

**Figure 5** SAE Straight Thread O-ring Port Dimensions

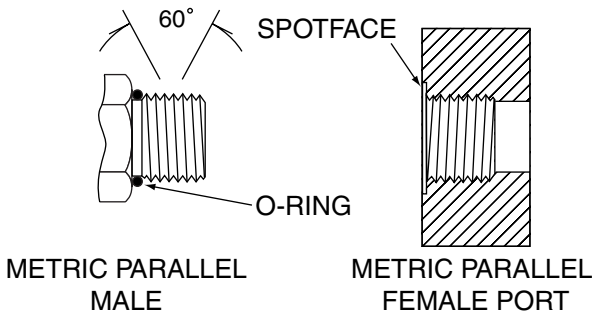
**NOTE:** Tap drill lengths “P” given here require bottoming taps. Increase “P” as required for standard taps.

**NOTE:** Diameter “U” shall be concentric with thread pitch diameter within .005 FIM. It should be free from longitudinal and spiral tool marks.

## Metric Threads (ISO 6149-2)

The following sections were prepared with the intention of explaining that NONE of them should be confused with a metric thread.

Please remember that a metric thread, be it parallel or tapered is designated as metric by the distance in millimeters from thread crest to crest. In the case of the parallel thread Figure 6 the O.D. is also expressed in millimeters.



**Figure 6**

To assist you in determining the various types of threads, Parker has available the International Thread I.D. Kit/Bulletin 4303-B1. It includes calipers, international and screw thread pitch gauges.

## Heat Code Traceability

Parker Hannifin’s Instrumentation Products Divisions offer the following stainless steel high quality fittings and document Heat Code Traceability (HCT).

- CPI™ Tube Fittings
- A-LOK® Tube Fittings
- Instrumentation Pipe Fittings
- Orbital Tube Weld Fittings
- MiniButtweld Fittings
- VacuSeal Couplings
- UltraSeal Couplings
- Needle Valves
- Ball Valves
- Check Valves
- Filters

HCT refers to the fact that a particular part can be traced back to the original mill heat of metal from which it was made. Beginning with the original melt, a package of documents is created which completely describes the metal in physical and chemical terms. The end result is that a number which is permanently stamped to the part, refers back to the document package.

The HCT number is stamped on the material (bar stock or forging) prior to manufacturing. The concept is useful because it provides a method for complete material accountability for the manufacturer and end customer.

For instance, interpretations of applicable specifications governing the use of materials in nuclear power plants lean toward the idea that HCT materials are not mandatory on 3/4" and smaller pipe (1" and smaller O.D. tubing) lines. However, heat code traceability for larger material sizes is mandatory and many designers insist that the protection offered by heat code traceability may be made part of small line installations as well, especially what is known as Class 1 or critical applications. Only Parker tube fittings offer the nuclear designer the capability to specify heat code traceability for his pressure retaining fitting bodies.

The material used in Parker Hannifin instrumentation fitting components is 316 or 316L (welded products) stainless steel as specified and referenced in Section III of the ASME Boiler and Pressure Vessel code.

The American Society of Mechanical Engineers (ASME) Boiler and Pressure Vessel code, Section III, latest issue, entitles Rules for Construction of Nuclear Power Plant Components, is the principal document covering this type of fitting in the nuclear field. ANSI Standard B 31.1.0, Power Piping, and ANSI Standard B 31.7, Nuclear Power Piping are also important documents in the field.

In addition to the documentation of chemical and physical properties, great care is taken throughout the manufacture of Parker's tube fittings to ensure that potential stress corrosion will not be a problem in normal usage of the parts. Manufacturing processes avoid exposure of the parts to mercury or halogens, and control of thermal treatment avoids the condition known as continuous grain boundary carbide precipitation.

The entire product line of stainless steel instrumentation fittings is manufactured to meet or exceed all applicable specifications to assure the designer that he is working with a quality product. This also assures the engineer, the contractor, and the customer that they are working with a high quality product that is in full compliance with all applicable specifications.

These specifications ensure high quality instrumentation fittings for use in fossil fuel power plants, chemical refineries, general instrumentation and processing plants. Requirements are now emerging in the semiconductor and pharmaceutical industries.

Not only are the materials continuously monitored, but Parker adheres to a formal, documented Quality Assurance Program that controls manufacture, marking, testing and examination procedures, cleaning and packaging.

Although not all customer orders require the high degree of quality assurance imposed by Parker, it is the policy of the company to manufacture products to meet all existing specifications, as well as anticipated future requirements in the area of Heat Code Traceability.

HCT offers these advantages:

- Raw materials for manufacture must meet code requirements. This can be verified through documentation so that the customer is certain that what is ordered is received.
- HCT provides a record of chemical analysis with the raw material. Thus, in areas requiring welding, the correct welding technique is applied.

HCT relieves the user of Parker instrumentation tube fittings of any doubts. It acts as an assurance for today and for tomorrow.

## **Parker Suparcase® - Ferrule Hardening**

Instrumentation tube fittings were on the market for only a short time when manufacturers realized that a pure compression 316 stainless steel fitting, single or double ferrule, while working well with fluids would not effectively seal gases. Nor would stainless steel compression ferrules hold to the working pressure of the many tube wall thicknesses being specified. Also, compression ferrules would not effectively seal gases on stainless steel tubing with surface imperfections. It became evident that it would be necessary to harden the surface of the ferrule to improve service performance. All fitting manufacturers began to harden the leading edge of the ferrules to solve this problem.

Parker's Instrumentation Products Division was not alone in recognizing the application problems associated with pure compression stainless steel fittings. But, as often happens with engineering trade-offs, chemical hardening, while a solution to the problem at hand, affected and changed the chemistry of the 316 stainless material.

Chemical hardening of the ferrule reduced its resistance to corrosion.

The race was on to find a new way to maintain the benefits of chemical hardening without changing the base chemistry of the 316 stainless material. Parker has taken the lead in the development of the chemical hardening process ideal for ferrules designed to grip and seal stainless steel tubing. The process, a technological breakthrough, is called **Suparcase®**.

**Parker Suparcase®** is a proprietary chemical process for the treatment of ASTM 316 stainless steel ferrules that imparts a unique set of physical characteristics that greatly enhances the corrosion resistance and hardness of ASTM 316 stainless steel. The **Parker Suparcase®** ferrules offer several important advantages over untreated ASTM 316 stainless steel.

The first important advantage lies in performance in corrosive environments. When compared to untreated ASTM 316 stainless steel, **Suparcase®** offers at least equivalent or better performance in the following corrosive environments:

- 50% sulfuric acid solution at 25° C
- 50% nitric acid solution at 25° C
- 30% acetic acid solution at 25° C
- 5% sodium hypochlorite at 25° C
- Type II simulated black liquor at 25° C  
(TAPPI TIS 0402-09)

Standard stress corrosion cracking tests have been performed on Suparcased ASTM 316 stainless steel, and untreated ASTM 316 stainless steel. The tests were conducted on U-bend specimens and on standard tensile specimens in chloride, hydroxide, and sulfide solutions. These tests have shown that the **Suparcase®** is at least equivalent or better in performance in resistance to stress corrosion cracking as compared to untreated ASTM 316 stainless steel.

Also, the **Suparcase®** ferrule has a surface hardness exceeding that of untreated ASTM 316 stainless steel enabling the Suparcase® ferrule to grip and seal ASTM 316 stainless steel tubing.

Over the past several years, IPD has made dramatic product quality improvements. Improvements have been made in forging quality, body seats and tube bore surfaces, pipe threads, nut quality, I.D. surface finishes, overall improved tolerances and now Suparcase®, the ultimate product advantage.

The **Parker Suparcase®** ferrule is a new breakthrough as a result of technology transfer from extensive research into super-corrosion resistant austenitic stainless steel by Parker's Research and Development Group. The **Suparcase®** ferrule has been developed to greatly enhance the corrosion resistance and hardness at ASTM type 316 stainless steel. Due to the **Suparcase®** ferrule's unique set of physical characteristics, it's ideal for instrumentation fitting ferrules which must seal and grip on commercial stainless steel tubing.

The **Parker Suparcase®** ferrule has the following features, advantages and benefits to the user:

1. Superior or equal to ASTM type 316 stainless steel in a broad range of corrosive applications.
2. Not affected by the standard working temperatures of ASTM type 316 stainless steel.
3. Superior resistance to pitting compared to ASTM 316.
4. Superior to ASTM 316 in stress corrosion tests.
5. A high surface hardness that prevents galling and increases remakes.
6. Proven in field applications throughout the world.

**Typical Sample of Corrosion Resistance**

Corrosion Environment	Suparcase® Ferrule compared to Untreated ASTM 316
Acetic Acid	Superior
Boiling Nitric Acid	Equivalent
Hydrochloric Acid	Equivalent
ASTM Salt Spray	
Test #B117	Equivalent
Sulfuric Acid	Superior
SO2 Atmosphere	Equivalent
34% MgCL <sup>2</sup> Stress	
Corrosion Test	Superior



## NOTES

## NOTES

## NOTES



**Parker Hannifin Corporation**  
Instrumentation Products Division  
1005 A Cleaner Way  
Huntsville, Alabama 35805  
Phone: (256) 881-2040  
Fax: (256) 881-5072  
[www.parker.com/ipdus](http://www.parker.com/ipdus)

Bulletin 4200-B4, 2.5M, 07/04