

36FW Series

**Fully Welded
Check Valve**



Parker Hannifin Corporation's Veriflo Division presents the 36FW Series Check Valve.

The 36FW Check Valve is a high purity check valve that minimizes noise and conserves much needed panel space.



features

- ▶ Conserves panel space.
- ▶ Noise free operations.
- ▶ Clean room assembled and packaged.
- ▶ Fully-Welded design.
- ▶ "VeriClean" low sulfur high purity 316L VAR Stainless Steel™, which enhances electropolishing, welding and corrosion resistance.

▶ materials of construction

Wetted

Body "VeriClean", Veriflo's custom high purity Type 316L Stainless Steel™
Spring Elgiloy®
Seal Ring Viton®, Parofluor®
Poppet "VeriClean", Veriflo's custom high purity Type 316L Stainless Steel™

▶ operating conditions

Working pressure 3000 psig (206 barg)
Max Back Pressure 3000 psig (206 barg)
Nominal cracking pressure < 2 psig (.14 barg)

Reseat pressure up to 5-10 psig
(.34 -.69 barg)

Temperature limits - 10°F to 150°F

▶ functional performance

Flow capacity C_v .55

Maximum external leakage
 1×10^{-9} scc/sec He

Across the seat leakage
 4×10^{-5} scc/sec He (Bubble tight)

▶ standard connections

End connections: Tube weld or VacuSeal™ male.
Additional end connections available upon request.

▶ internal volume

.22 cc

▶ surface finish

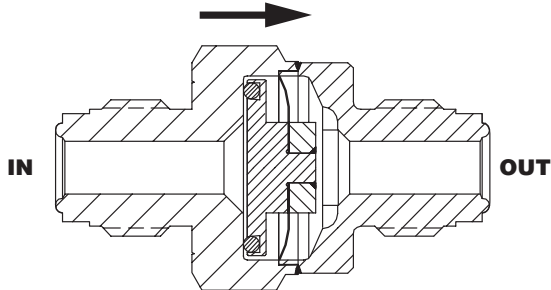
7 Ra electropolished

Catalog: 4516
LitPN: 25000184
Revision: A • 10/03

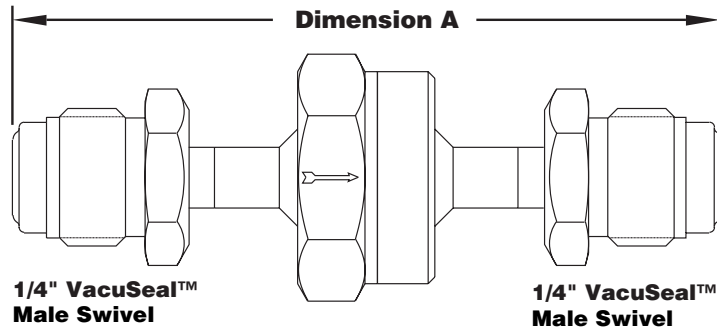
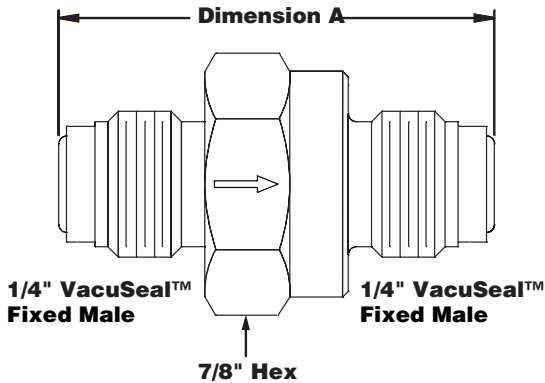


36FW Series

Dimensional Drawing



Check Valves	Dimension "A"
36FW-442VMSVMS-V	2.89 inches
36FW-442TWTW-V	1.24 inches
36FW-442VMVM-V	1.69 inches
36FW-442VMVM-V-L	1.80 inches
36FW-442VFVF-V	2.43 inches
36FW-662TWTW-V	1.24 inches
36FW-882VFVF-V	2.43 inches
36FW-882VMVM-V	2.06 inches
36FW-882TWTW-V	1.24 inches



Ordering Information

<p>BASIC SERIES 36FW</p> <p>INLET CONNECTION SIZE 4 = 1/4" 6 = 3/8" 8 = 1/2"</p> <p>OUTLET CONNECTION SIZE 4 = 1/4" 6 = 3/8" 8 = 1/2"</p> <p>MATERIAL 2 = 316L VeriClean</p> <p>Elgiloy® is a registered trademark of Elgiloy Company. VacuSeal™ is a trademark of Parker Hannifin Corporation. Viton® is a registered trademark of DuPont Elastomers Company. Parofluor® is a registered trademark of Parker Hannifin Corporation.</p>	<p>36FW- 4 4 2 TW TW -V - L</p>	<p>LENGTH OPTION L = Optional end-to-end of 1.80"</p> <p>O-RING V = Viton® KR = Parofluor® or equivalent</p> <p>OUTLET CONNECTION TYPE TW = Tube Stub VF = Female VacuSeal™ VM = Male Fixed VacuSeal™ (standard) VMS = Male VacuSeal™ Swivel</p> <p>INLET CONNECTION TYPE TW = Tube Stub VF = Female VacuSeal™ VM = Male Fixed VacuSeal™ (standard) VMS = Male VacuSeal™ Swivel</p>
---	--	---