



90 Series



90 Series
Panel mounted



100 Series



Contractor



Freon



LF Series
(Liquid Filled)



Paper Machine



Sprinkler



Compressed Gas
Gauges



Welding



Corporate Office: 121 Railside Road • Toronto • ON • M3A 1B2 • (416) 444-2345 • Fax: (416) 444-8979

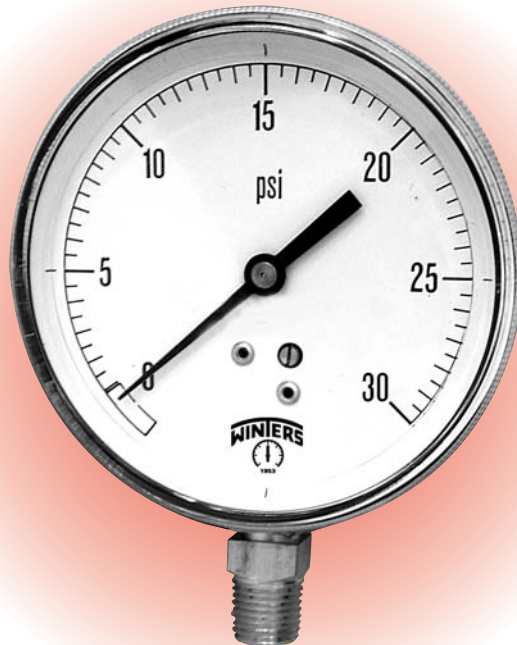
U.S.A. Office: 600 Ensminger Road • Buffalo • NY • 14150 • (716) 874-8700 • Fax: (716) 874-8800

www.winters.com • 1-800-WINTERS (946-8377)

90 Series



Screw-on Lens &
Recalibrator Screw



CRN

Description

The Winters 90 Series pressure gauge is a versatile instrument that comes standard with a screw-on acrylic lens and a recalibrator screw. The pressure gauge is also equipped with a flutterless movement for added stability. The screw-on plastic ring makes it easy to service.

Winters' 90 Series gauge is designed for applications such as air, oil, water and other pressure media which has no effect on bronze.

The 90 Series pressure gauge offers an optimum accuracy rating of 2-1-2% and is CRN registered.

Specifications

| | |
|-----------------------------|---|
| Dial: | 1 1/2" (40mm), 2" (50mm), 2 1/2" (63mm) and 3 1/2" (90mm), white aluminum with black and red markings |
| Case: | Steel painted black |
| Lens: | Polycarbonate |
| Ring: | Screw on plastic ring |
| Pointer: | Steel, painted black |
| Socket: | Brass |
| Connection: | 1/8" NPT or 1/4" NPT standard |
| Bourdon Tube: | Phosphor bronze |
| Movement: | Brass (flutterless) |
| Welding: | Silver alloy |
| Over-pressure Limit: | 25% of full scale value |
| Working Pressure: | Maximum 75% of full scale value |
| Ambient Temperature: | -40°F to 149°F (-40°C to 65°C) |
| Process Temperature: | -40°F to 149°F (-40°C to 65°C) |
| Accuracy: | 2-1-2% accuracy (ANSI/ASME Grade B) - with recalibrator screw |



Corporate Office: 121 Railside Road • Toronto • ON • M3A 1B2 • (416) 444-2345 • Fax: (416) 444-8979

U.S.A. Office: 600 Ensminger Road • Buffalo • NY • 14150 • (716) 874-8700 • Fax: (716) 874-8800

www.winters.com • 1-800-WINTERS (946-8377)

90 Series

How to order: Specify product code PRODUCT CODES

| Dial Size | 1 1/2"(40mm) | 1 1/2"(40mm) | 2"(50mm) | 2"(50mm) | 2"(50mm) | 2"(50mm) | 2 1/2"(63mm) | 2 1/2"(63mm) | 3 1/2" (90mm) | 3 1/2" (90mm) |
|------------------------|--------------|--------------|-------------|-------------|----------|----------|--------------|--------------|---------------|---------------|
| Case Material | Steel | Steel | Steel | Steel | Steel | Steel | Steel | Steel | Steel | Steel |
| Connection | Bottom | Centre Back | Centre Back | Centre Back | Bottom | Bottom | Centre Back | Bottom | Bottom | Center Back |
| NPT Connection Size | 1/8" | 1/8" | 1/8" | 1/4" | 1/8" | 1/4" | 1/4" | 1/4" | 1/4" | 1/4" |
| Movement, Socket, Tube | Brass | Brass | Brass | Brass | Brass | Brass | Brass | Brass | Brass | Brass |
| 30" Hg. Vac./kPa | Q901297 | Q901397 | Q901424 | Q901428 | Q90195 | Q90135 | Q901431 | Q90210 | Q90220 | Q901455 |
| 30"-0-15 psi/kPa | * | * | * | * | * | * | * | Q90152 | * | * |
| 30"-0-30 psi/kPa | * | * | * | * | * | * | * | Q90153 | * | * |
| 30"-0-60 psi/kPa | * | * | * | * | * | * | * | Q90154 | * | * |
| 30"-0-100 psi/kPa | * | * | * | * | * | * | * | Q90155 | * | * |
| 0-15 psi/kPa | Q901299 | Q901399 | Q901425 | Q901429 | Q90196 | Q90136 | Q901436 | Q90211 | Q90229 | Q901464 |
| 0-30 psi/kPa | Q901300 | Q901400 | Q901402 | Q901403 | Q90206 | Q90199 | Q901437 | Q90212 | Q90221 | Q901456 |
| 0-60 psi/kPa | Q901301 | Q901401 | Q901404 | Q901405 | Q90207 | Q90201 | Q901438 | Q90213 | Q90222 | Q901457 |
| 0-100 psi/kPa | Q901320 | Q901420 | Q901406 | Q901407 | Q90208 | Q90202 | Q901439 | Q90214 | Q90223 | Q901458 |
| 0-160 psi/kPa | Q901321 | Q901421 | Q901408 | Q901409 | Q90197 | Q90203 | Q901440 | Q90215 | Q90224 | Q901459 |
| 0-200 psi/kPa | Q901322 | Q901422 | Q901426 | Q901410 | Q90209 | Q90204 | Q901441 | Q90216 | Q90225 | Q901460 |
| 0-300 psi/kPa | Q901323 | Q901423 | Q901427 | Q901411 | Q90198 | Q90205 | Q901442 | Q90217 | Q90226 | Q901461 |
| 0-400 psi/kPa | Q901324 | Q901443 | Q901445 | Q901447 | Q901449 | Q901451 | Q901453 | Q90219 | Q90227 | Q901462 |
| 0-600 psi/kPa | Q901325 | Q901444 | Q901446 | Q901448 | Q901450 | Q901452 | Q901454 | Q90218 | Q90228 | Q901463 |
| 0-1000 psi/kPa | * | * | * | * | * | * | * | * | * | * |
| 0-2000 psi/kPa | * | * | * | * | * | * | * | * | * | * |
| 0-3000 psi/kPa | * | * | * | * | * | * | * | * | * | * |
| 0-5000 psi/kPa | * | * | * | * | * | * | * | * | * | * |

Options:

- Stainless Steel case available
- U-Clamp version available, please see Panel Mounted 90 Series
- Other ranges, connections sizes available
- Restrictor screw



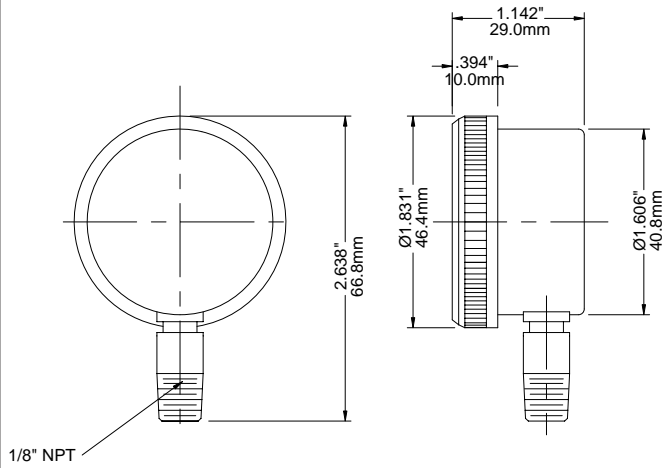
Corporate Office: 121 Railside Road • Toronto • ON • M3A 1B2 • (416) 444-2345 • Fax: (416) 444-8979

U.S.A. Office: 600 Ensminger Road • Buffalo • NY • 14150 • (716) 874-8700 • Fax: (716) 874-8800

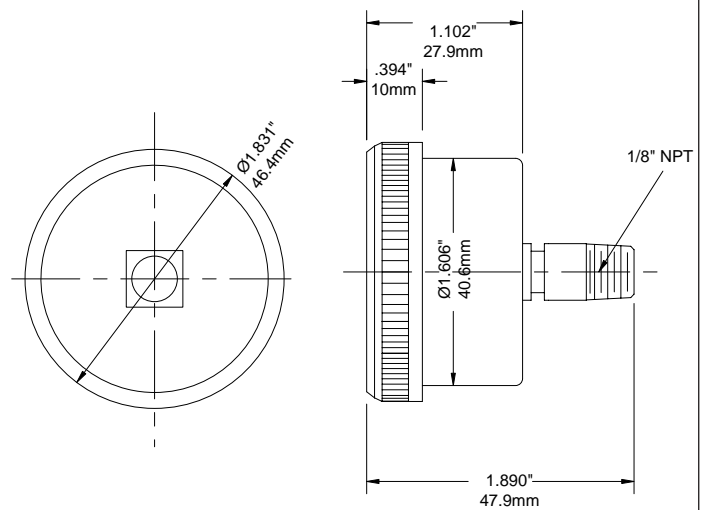
www.winters.com • 1-800-WINTERS (946-8377)

90 Series

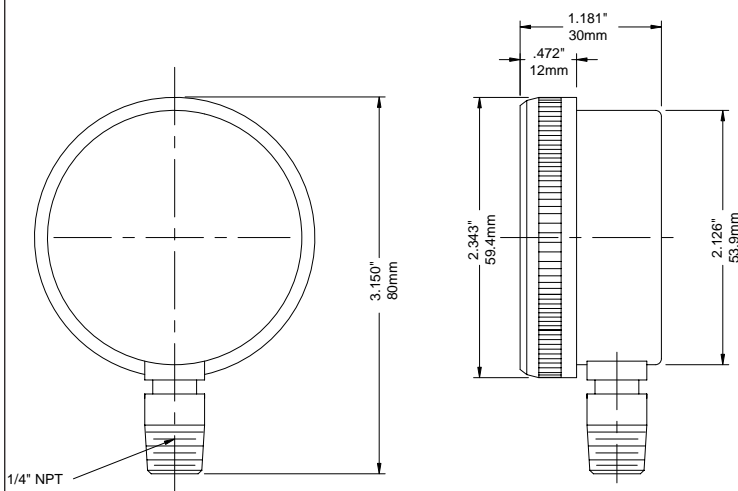
1½" Bottom Connection



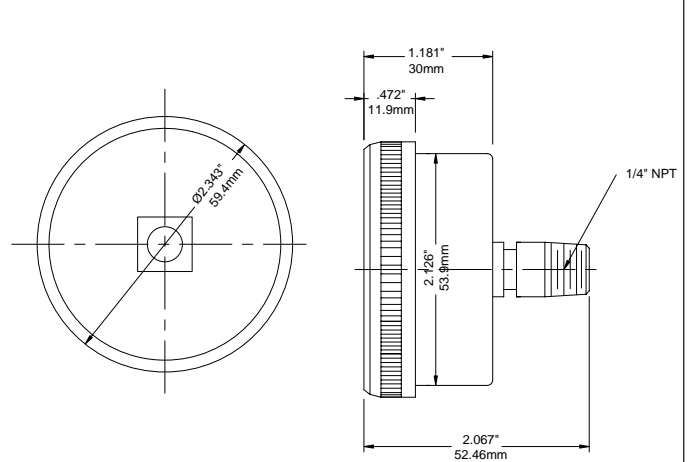
1½" Back Connection



2" Bottom Connection



2" Back Connection



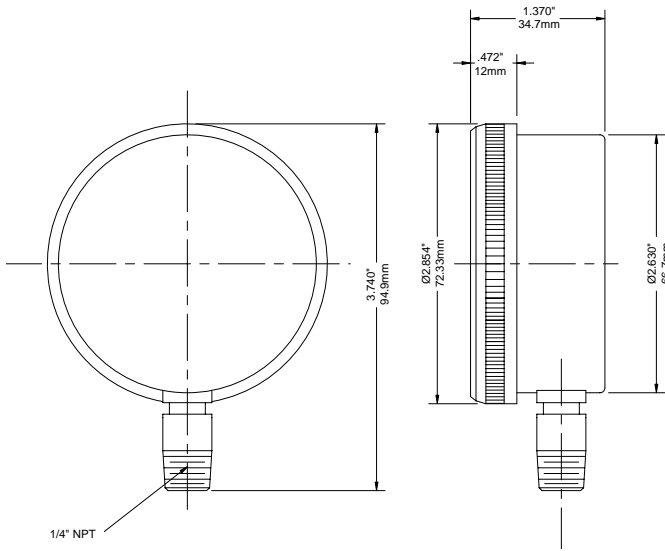
Corporate Office: 121 Railside Road • Toronto, ON, M3A 1B2 • 416-444-2345 • Fax: 416 444 8979

U.S.A. Office: 600 Ensminger Road • Buffalo, NY, 14150 • 716 874 8700 • Fax: 716-874-8800

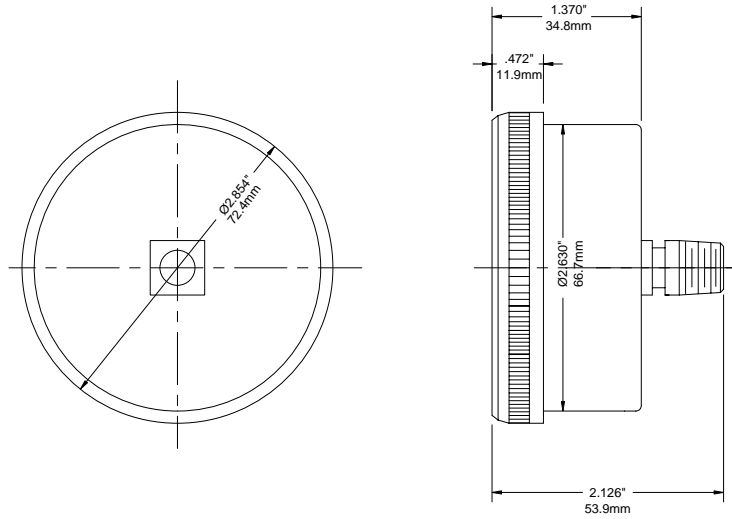
www.winters.com • 1-800-WINTERS (946-8377)

90 Series

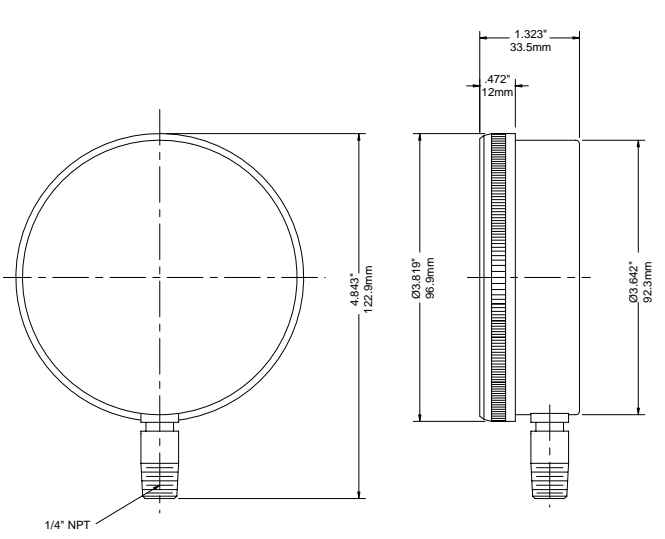
2 1/2" Bottom Connection



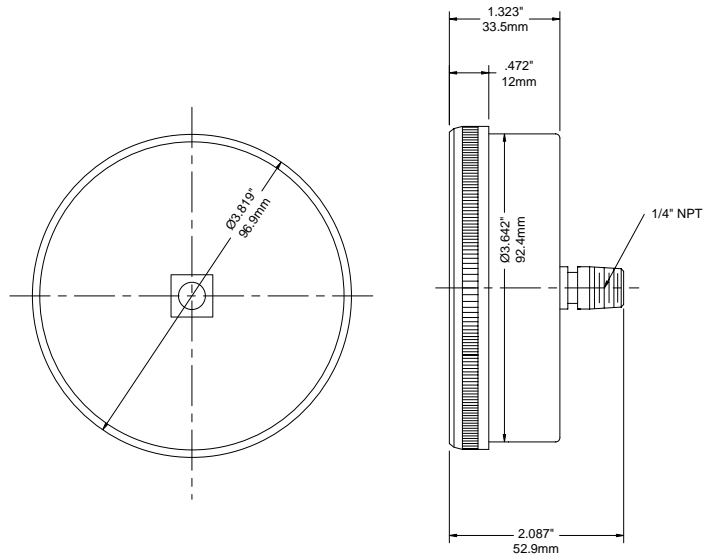
2 1/2" Back Connection



3 1/2" Bottom Connection



3 1/2" Back Connection



Corporate Office: 121 Railside Road • Toronto • ON • M3A 1B2 • (416) 444-2345 • Fax: (416) 444-8979

U.S.A. Office: 600 Ensminger Road • Buffalo • NY • 14150 • (716) 874-8700 • Fax: (716) 874-8800

www.winters.com • 1-800-WINTERS (946-8377)

90 Series Panel Mounted



CRN

Screw-on Lens &
Recalibrator Screw

Description

Winters 90 Series Panel Mounted pressure gauge is a versatile instrument that has a u-clamp design that can be panel mounted on instrumentation panels, boards and any other industrial applications. This pressure gauge comes standard with a screw-on plastic ring, acrylic lens and a recalibrator screw. The instrument is equipped with a flutterless movement and is easy to service.

The Winters 90 Series Panel Mounted gauge is designed for applications such as air, oil, water and other pressure media which has no effect on bronze.

Specifications

| | |
|-----------------------------|---|
| Dial: | 1 1/2" (40mm), 2" (50mm), 2 1/2" (63mm) and 3 1/2" (90mm), white aluminum with black and red markings |
| Case: | Steel painted black |
| Lens: | Polycarbonate |
| Ring: | Screw on plastic ring |
| Pointer: | Steel, painted black |
| Socket: | Brass |
| Connection: | 1/8" NPT or 1/4" NPT standard |
| Bourdon Tube: | Phosphor Bronze |
| Movement: | Brass (flutterless movement) |
| Welding: | Silver alloy |
| Over-pressure Limit: | 25% of full scale value |
| Working Pressure: | Maximum 75% of full scale value |
| Ambient Temperature: | -40°F to 150°F (-40°C to 65°C) |
| Process Temperature: | -40°F to 150°F (-40°C to 65°C) |
| Accuracy: | 2-1-2% accuracy (ANSI/ASME Grade B) - recalibrator screw std. |
| Protection: | IP52 |



Corporate Office: 121 Railside Road • Toronto • ON • M3A 1B2 • (416) 444-2345 • Fax: (416) 444-8979

U.S.A. Office: 600 Ensminger Road • Buffalo • NY • 14150 • (716) 874-8700 • Fax: (716) 874-8800

www.winters.com • 1-800-WINTERS (946-8377)

90 Series Panel Mounted

How to order: Specify product code

PRODUCT CODES

| Dial Size | 1 1/2" (40mm) | 2" (50mm) | 2" (50mm) | 2 1/2" (63mm) | 3 1/2" (90mm) |
|------------------------|----------------|----------------|----------------|----------------|----------------|
| Case Material | Steel | Steel | Steel | Steel | Steel |
| Connection | Centre Back | Centre Back | Centre Back | Centre Back | Centre Back |
| NPT Connection Size | 1/8" | 1/8" | 1/4" | 1/4" | 1/4" |
| Movement, Socket, Tube | Brass | Brass | Brass | Brass | Brass |
| 30" Hg. Vac./kPa | Q901397UC | Q901424UC | Q901428UC | Q901431UC | Q901455UC |
| 30"-0-15 psi/kPa | * | * | * | * | * |
| 30"-0-30 psi/kPa | * | * | * | * | * |
| 30"-0-60 psi/kPa | * | * | * | * | * |
| 30"-0-100 psi/kPa | * | * | * | * | * |
| 0-15 psi/kPa | Q901399UC | Q901425UC | Q901429UC | Q901436UC | Q901464UC |
| 0-30 psi/kPa | Q901400UC | Q901402UC | Q901403UC | Q901437UC | Q901456UC |
| 0-60 psi/kPa | Q901401UC | Q901404UC | Q901405UC | Q901438UC | Q901457UC |
| 0-100 psi/kPa | Q901420UC | Q901406UC | Q901407UC | Q901439UC | Q901458UC |
| 0-160 psi/kPa | Q901421UC | Q901408UC | Q901409UC | Q901440UC | Q901459UC |
| 0-200 psi/kPa | Q901422UC | Q901426UC | Q901410UC | Q901441UC | Q901460UC |
| 0-300 psi/kPa | Q901423UC | Q901427UC | Q901411UC | Q901442UC | Q901461UC |
| 0-400 psi/kPa | Q901443UC | Q901445UC | Q901447UC | Q901453UC | Q901462UC |
| 0-600 psi/kPa | Q901444UC | Q901446UC | Q901448UC | Q901454UC | Q901463UC |
| Panel Cut-out | 1.69" (43mm) | 2.11" (53.5mm) | 2.11" (53.5mm) | 2.66" (67.5mm) | 3.68" (93.5mm) |
| Overall O.D. | 1.85" (47.7mm) | 2.27" (57.9mm) | 2.27" (57.9mm) | 2.82" (71.9mm) | 3.94" (98.9mm) |

Options: • Other ranges, connections sizes available



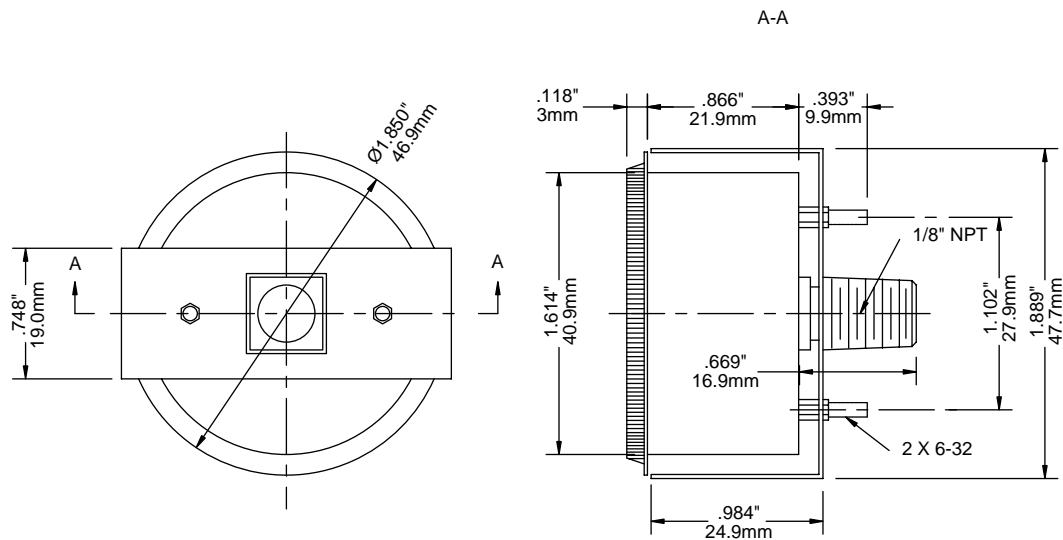
Corporate Office: 121 Railside Road • Toronto • ON • M3A 1B2 • (416) 444-2345 • Fax: (416) 444-8979

U.S.A. Office: 600 Ensminger Road • Buffalo • NY • 14150 • (716) 874-8700 • Fax: (716) 874-8800

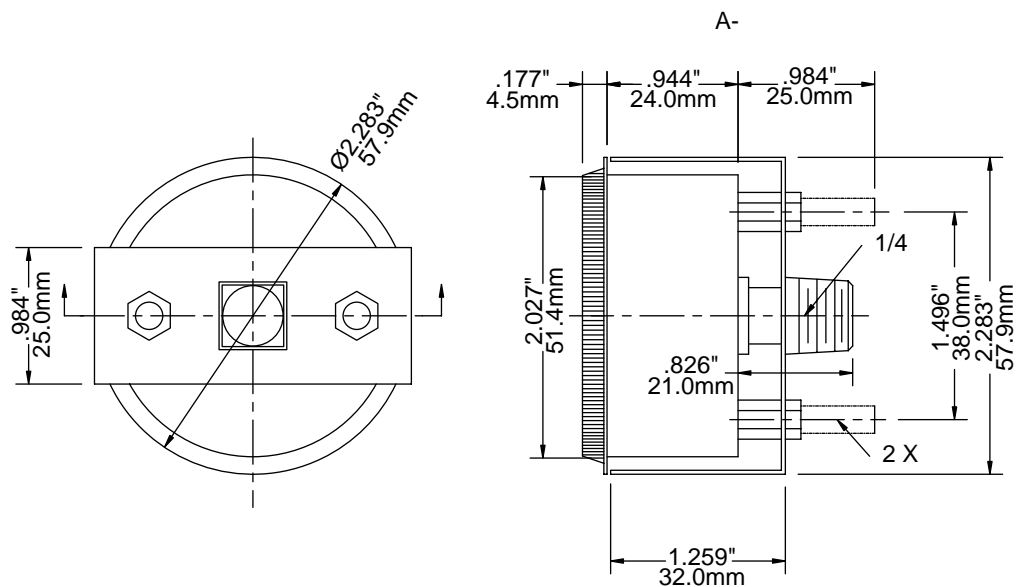
www.winters.com • 1-800-WINTERS (946-8377)

90 Series Panel Mounted

1.5" Back Connection, u-clamp



2" Back Connection, u-clamp



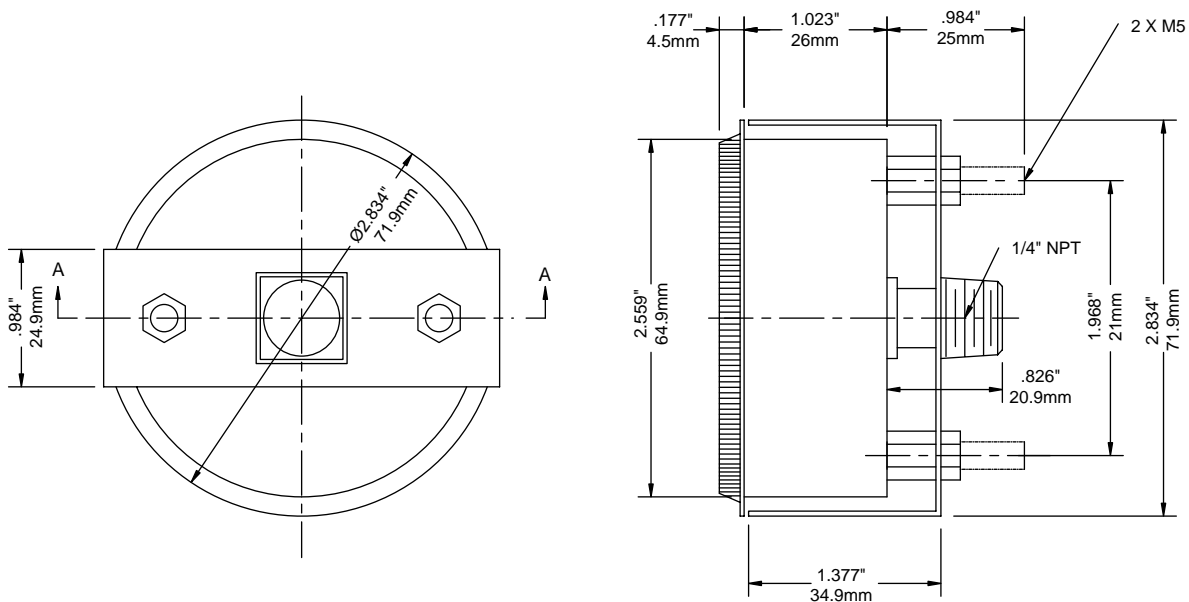
Corporate Office: 121 Railside Road • Toronto, ON, M3A 1B2 • 416-444-2345 • Fax: 416 444 8979

U.S.A. Office: 600 Ensminger Road • Buffalo, NY, 14150 • 716 874 8700 • Fax: 716-874-8800

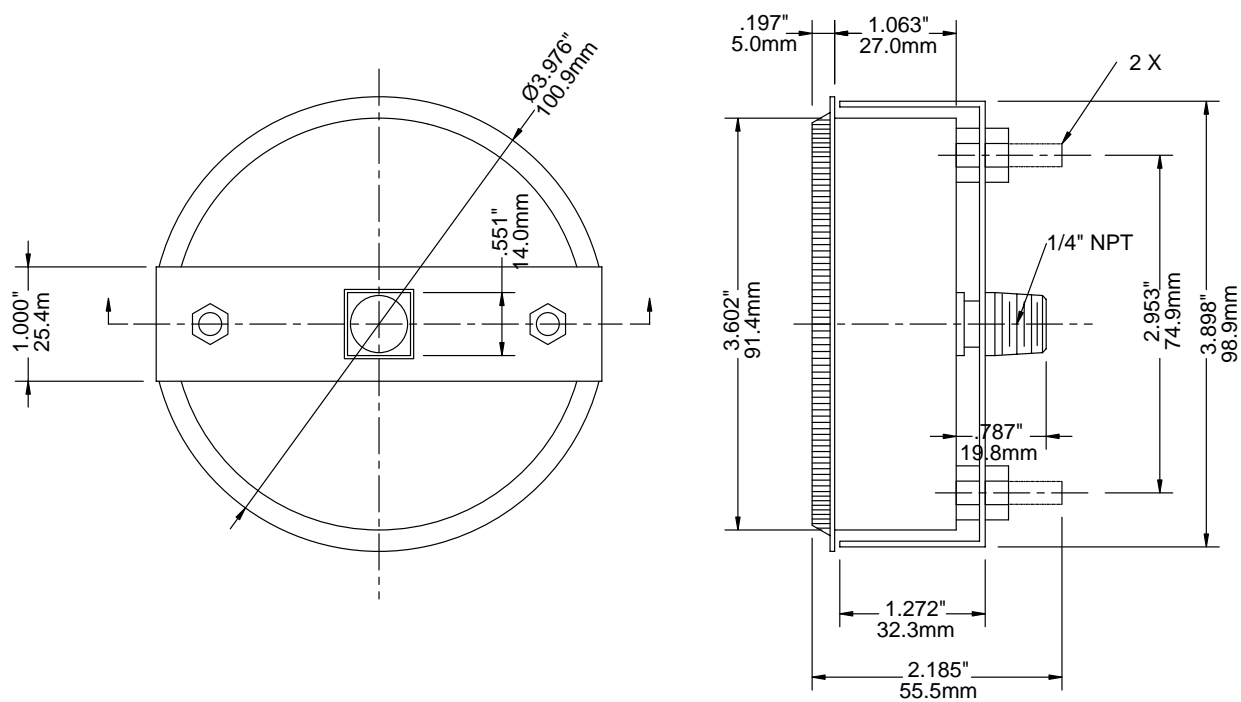
www.winters.com • 1-800-WINTERS (946-8377)

90 Series Panel Mounted

2.5" Back Connection, u-clamp



3.5" Back Connection, u-clamp



Corporate Office: 121 Railside Road • Toronto • ON • M3A 1B2 • (416) 444-2345 • Fax: (416) 444-8979

U.S.A. Office: 600 Ensminger Road • Buffalo • NY • 14150 • (716) 874-8700 • Fax: (716) 874-8800

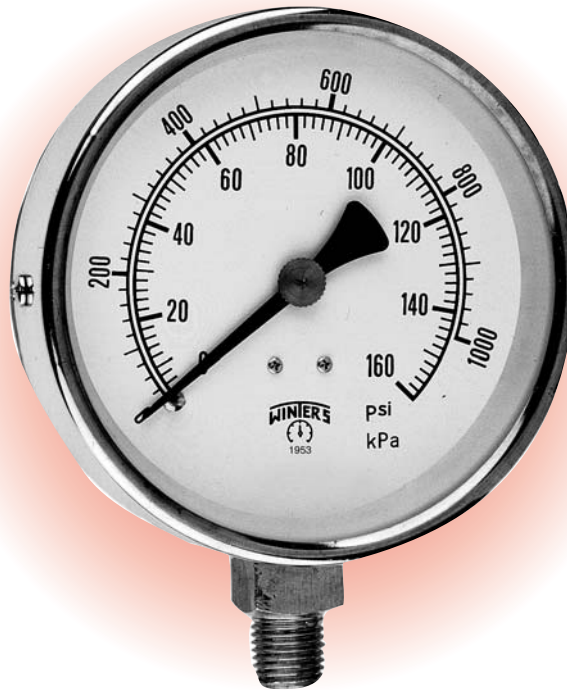
www.winters.com • 1-800-WINTERS (946-8377)

100 Series

CRN



Optional Back Flange



4" Dial, Centre Back

Description

The Winters' 100 Series Gauges are designed for applications that require reliable measurement of steam, water, oil or any media that have no corrosive effect on brass. These quality all-purpose gauges are available in a steel case or aluminum case and meet all standards of ASME B40.1-1991. The instrument is also, CRN registered.

This versatile instrument with an accuracy of 1.0% full scale is available in various dial sizes.

Specifications

| | |
|-----------------------------|--|
| Dial: | 3 1/2" (90mm), 4" (100mm), 4 1/2" (115mm) and 6" (150mm), white aluminum dial |
| Case: | Steel 3 1/2" & 4" back - black steel - 4" & 6" bottom - others aluminum black |
| Lens: | 3 1/2", 4 1/2" bottom connection, 6" glass - all others polycarbonate |
| Ring: | 3 1/2" (90mm), 4" (100mm) and 4 1/2" (115mm) bottom connection, polished brass " (150mm) bottom connection steel painted black |
| Pointer: | Aluminum black, adjustable |
| Socket: | Brass |
| Connection: | 1/4" NPT standard |
| Bourdon Tube: | Phosphor Bronze |
| Welding: | Silver alloy |
| Over-pressure Limit: | 25% of full scale value |
| Working Pressure: | Maximum 75% of full scale value |
| Ambient Temperature: | -40°F to 150°F (-40°C to 65°C) |
| Process Temperature: | -40°F to 150°F (-40°C to 65°C) |
| Accuracy: | ±1% (ANSI/ASME Grade 1A) |
| Protection: | IP 52 |



Corporate Office: 121 Railside Road • Toronto • ON • M3A 1B2 • (416) 444-2345 • Fax: (416) 444-8979

U.S.A. Office: 600 Ensminger Road • Buffalo • NY • 14150 • (716) 874-8700 • Fax: (716) 874-8800

www.winters.com • 1-800-WINTERS (946-8377)

100 Series

How to order: Specify product code PRODUCT CODES

| Dial Size | 3 1/2"(90mm) | | 4"(100mm) | 4 1/2"(115mm) | | 6"(150mm) | |
|--------------------|--------------|-------------|-------------|---------------|------------|-----------|------------|
| Case Material | Steel | | Steel | Aluminum | | Steel | Aluminum |
| Connection | Bottom | Centre Back | Centre Back | Bottom | Lower Back | Bottom | Lower Back |
| 30" Hg. Vacuum/kPa | Q234 | Q560 | Q460 | Q410 | Q430 | Q250 | Q475 |
| 30"-0-15 psi/kPa | Q230 | Q568 | Q468 | Q411 | Q431 | Q251C | Q476 |
| 30"-0-30 psi/kPa | Q231 | Q569 | Q469 | Q412 | Q432 | Q252C | Q477 |
| 30"-0-60 psi/kPa | Q232 | Q570 | Q470 | Q413 | Q433 | Q259C | Q478 |
| 30"-0-100 psi/kPa | Q233 | Q571 | Q471 | Q414 | Q434 | Q253C | Q479 |
| 30"-0-160 psi/kPa | Q229 | Q572 | Q472 | Q416 | Q436 | Q254C | Q480 |
| 30"-0-200 psi/kPa | * | Q573 | * | Q417 | Q437 | Q255C | Q481 |
| 30"-0-300 psi/kPa | Q227 | Q574 | Q473 | Q418 | Q438 | Q256C | Q482 |
| 0-15 psi/kPa | Q228 | Q561 | Q461 | Q419 | Q439 | * | * |
| 0-30 psi/kPa | Q235 | Q562 | Q462 | Q420 | Q440 | Q251 | Q483 |
| 0-60 psi/kPa | Q236 | Q563 | Q463 | Q421 | Q441 | Q252 | Q484 |
| 0-100 psi/kPa | Q237 | Q564 | Q464 | Q422 | Q442 | Q253 | Q485 |
| 0-160 psi/kPa | Q238 | Q565 | Q465 | Q423 | Q443 | Q254 | Q486 |
| 0-200 psi/kPa | Q239 | Q566 | Q466 | Q424 | Q444 | Q255 | Q487 |
| 0-300 psi/kPa | Q240 | Q567 | Q467 | Q426 | Q446 | Q256 | Q488 |
| 0-600 psi/kPa | * | * | * | Q490 | * | * | * |
| 0-1000 psi/kPa | * | * | * | Q491 | * | * | * |
| 0-3000 psi/kPa | * | * | * | Q492 | * | * | * |
| 0-5000 psi/kPa | * | * | * | Q493 | * | * | * |

- Other Options:**
- QBF = back flange, all sizes.
 - U-clamp available upon request.
 - Other connections available upon request.
 - Other ranges available upon request.
- (* Syphon recommended for all steam applications)



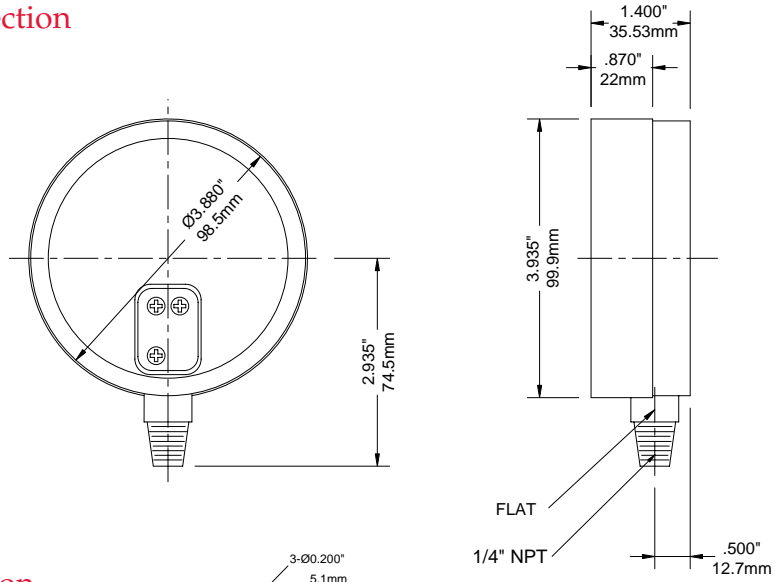
Corporate Office: 121 Railside Road • Toronto • ON • M3A 1B2 • (416) 444-2345 • Fax: (416) 444-8979

U.S.A. Office: 600 Ensminger Road • Buffalo • NY • 14150 • (716) 874-8700 • Fax: (716) 874-8800

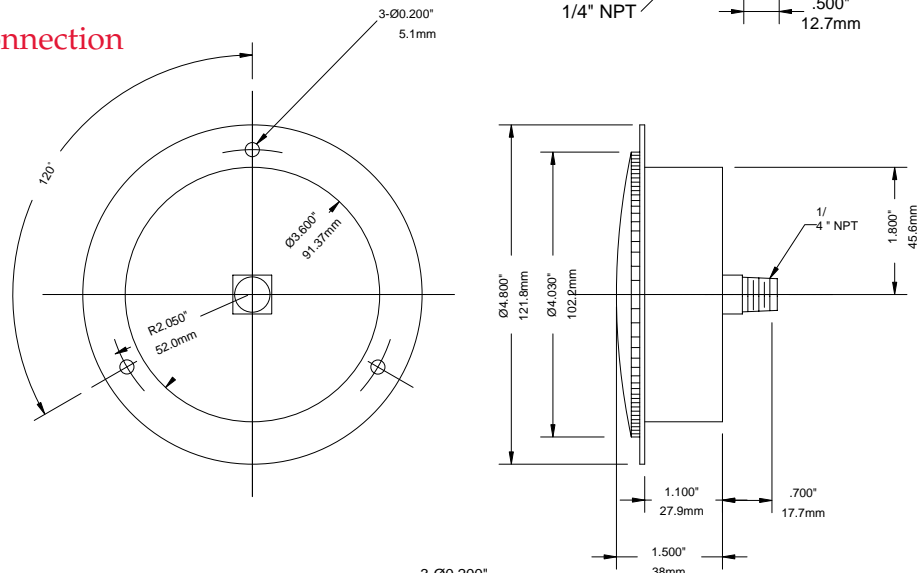
www.winters.com • 1-800-WINTERS (946-8377)

100 Series

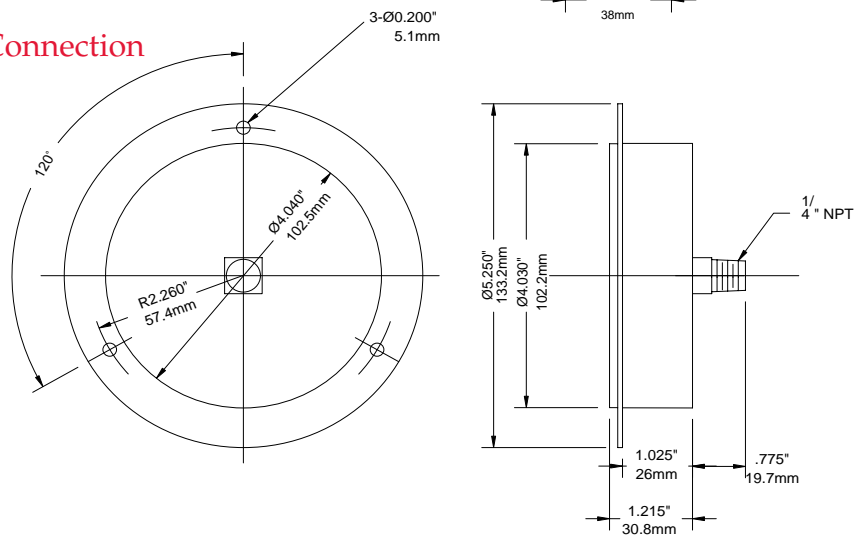
3 1/2" Bottom Connection



3 1/2" Back Connection



4" Centre Back Connection



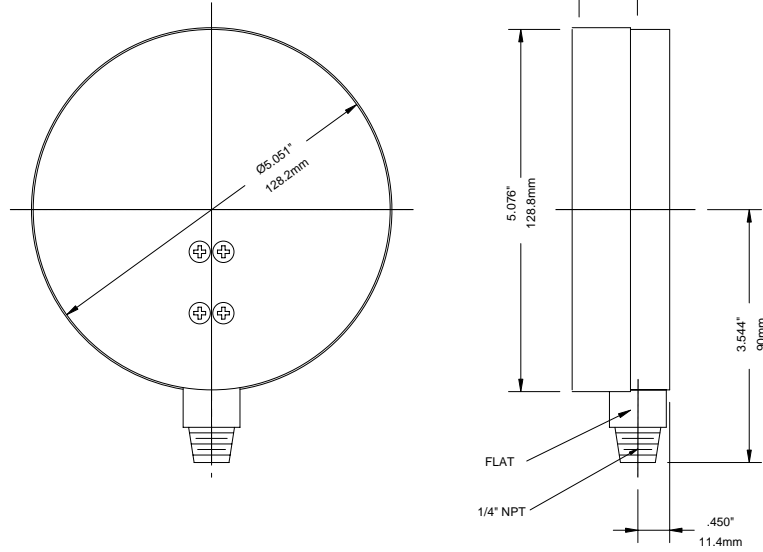
Corporate Office: 121 Railside Road • Toronto, ON, M3A 1B2 • 416-444-2345 • Fax: 416 444 8979

U.S.A. Office: 600 Ensminger Road • Buffalo, NY, 14150 • 716 874 8700 • Fax: 716-874-8800

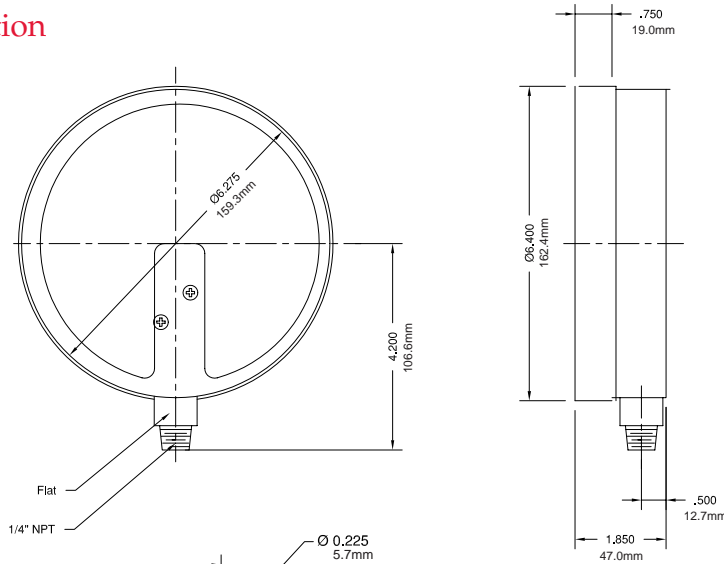
www.winters.com • 1-800-WINTERS (946-8377)

100 Series

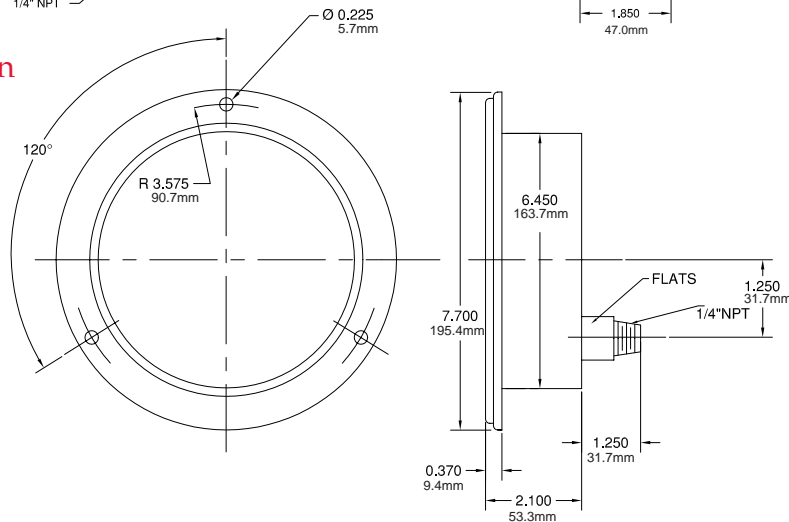
4 1/2" Bottom Connection



6" Bottom Connection



6" Back Connection



Corporate Office: 121 Railside Road • Toronto • ON • M3A 1B2 • (416) 444-2345 • Fax: (416) 444-8979

U.S.A. Office: 600 Ensminger Road • Buffalo • NY • 14150 • (716) 874-8700 • Fax: (716) 874-8800

www.winters.com • 1-800-WINTERS (946-8377)

Compressed Gas Gauge



Applications

Winters Compressed Gas Gauge is designed for use on various types of regulators (e.g. beverage dispensing, compressors, water pumps, paint sprayers, etc.). The low pressure instrument is commonly utilized on the downside of a regulator indicating regulated reduced pressure. The high pressure instrument is utilized for measuring cylinder or tank pressure.

Options

- Other configurations available
- Dual scale available upon request

| Specifications | |
|------------------------------|--|
| Dial: | 1½" (40mm), 2" (50mm) |
| Case: | Black steel with blow-out back |
| Lens: | Acrylic |
| Ring: | Black crimped on |
| Pointer: | Steel, painted black |
| Socket: | Brass |
| Connection: | 1/8" or 1/4" NPT, bottom or back |
| Bourdon Tube: | Brass |
| Movement: | Brass |
| Ambient/Process Temperature: | -40°F to 150°F (-40°C to 65°C) |
| Over-pressure Limit: | 25% of full scale value |
| Working Pressure: | Maximum 75% of full scale value |
| Accuracy: | 3%-2%-3% of full scale ANSI/ASME Grade B |

| Product Codes | | | |
|---------------|--------------------------------------|-------------------------------------|--|
| Range | 1½" (40mm) 1/8" NPT Back Conn. | 2" (50mm) 1/8" NPT Back Conn. | 2" (50mm) 1/4" NPT Bottom Conn. |
| 0-30 psi | Q9014 | | Q9020 |
| 0-60 psi | Q9015 | | Q9021 |
| 0-100 psi | | Q9017 | Q9022 |
| 0-160 psi | Q9016 | Q9018 | Q9023 |
| 0-300 psi | | Q9019 | Q9024 |
| 0-2000 psi | | | Q9025 |
| 0-3000 psi | | | Q9026 |

UL252A recognized - low pressures 30-300 psi
UL404 listed - high pressures 2000 psi and 3000 psi

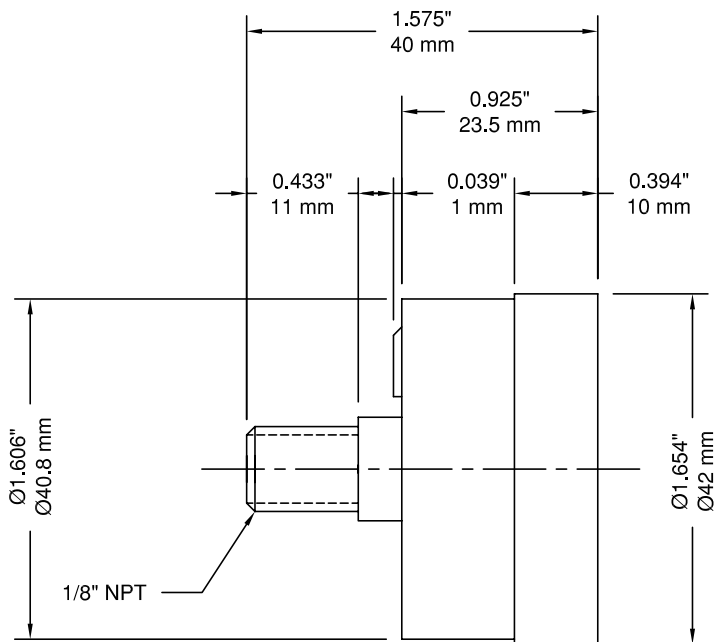


Corporate Office: 121 Railside Road • Toronto • ON • M3A 1B2 • (416) 444-2345 • Fax: (416) 444-8979

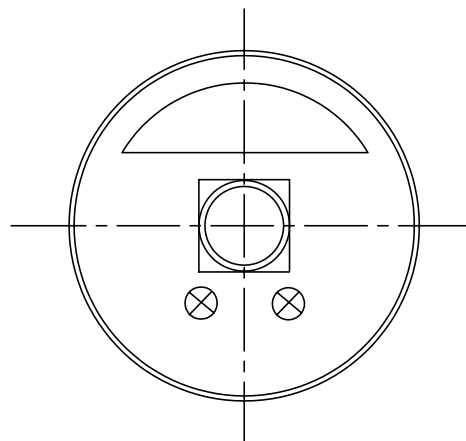
U.S.A. Office: 600 Ensminger Road • Buffalo • NY • 14150 • (716) 874-8700 • Fax: (716) 874-8800

www.winters.com • 1-800-WINTERS (946-8377)

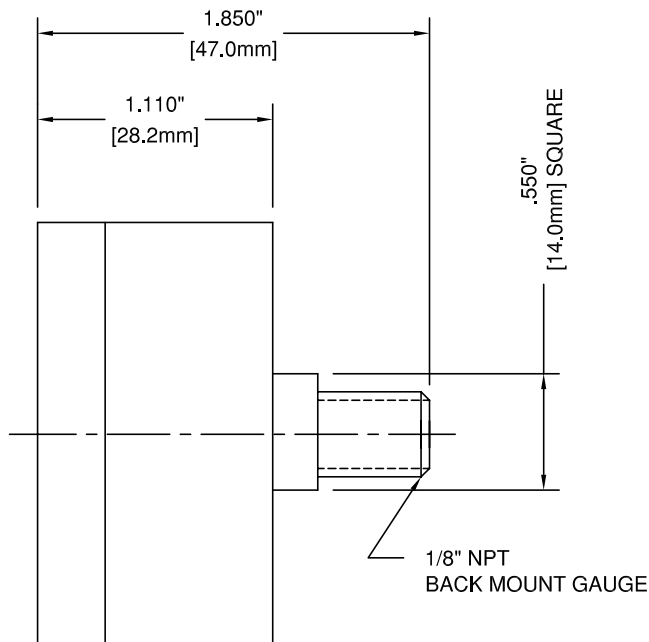
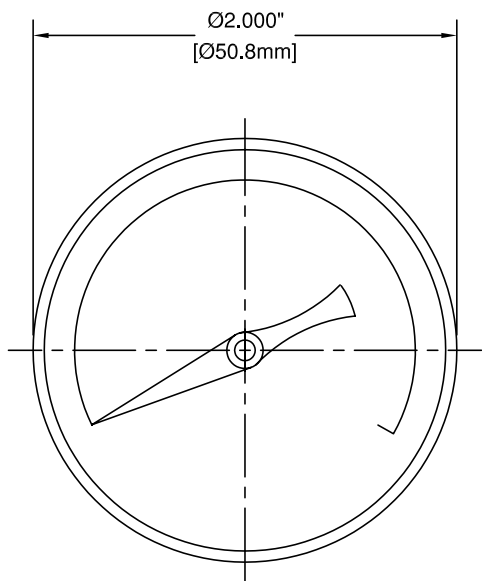
Compressed Gas Gauge



1 1/2" Back Connection, 1/8" NPT



2" Back Connection, 1/8" NPT



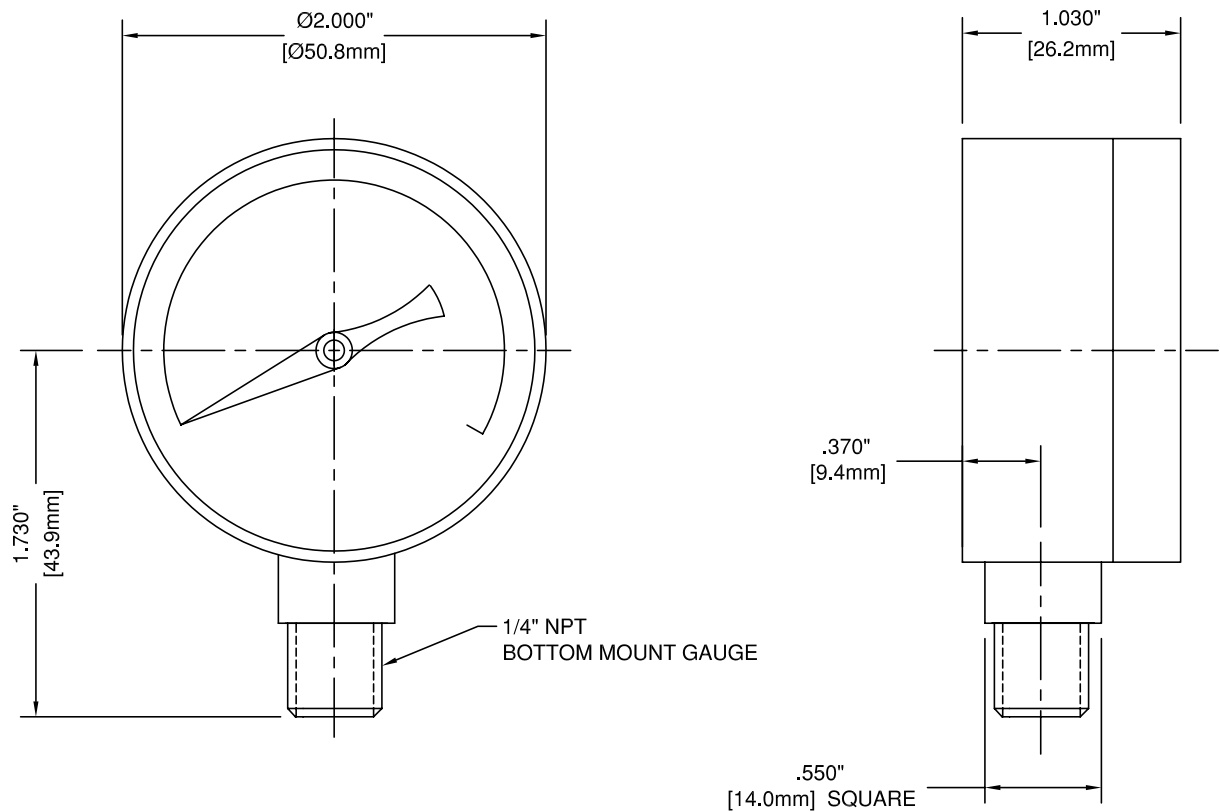
Corporate Office: 121 Railside Road • Toronto • ON • M3A 1B2 • (416) 444-2345 • Fax: (416) 444-8979

U.S.A. Office: 600 Ensminger Road • Buffalo • NY • 14150 • (716) 874-8700 • Fax: (716) 874-8800

www.winters.com • 1-800-WINTERS (946-8377)

Compressed Gas Gauges

2" Bottom Connection, 1/4" NPT



Corporate Office: 121 Railside Road • Toronto • ON • M3A 1B2 • (416) 444-2345 • Fax: (416) 444-8979

U.S.A. Office: 600 Ensminger Road • Buffalo • NY • 14150 • (716) 874-8700 • Fax: (716) 874-8800

www.winters.ca • 1-800-WINTERS (946-8377)

Contractor

CRN



Description

The Winters Contractor gauge is designed specifically for heating, ventilation, air conditioning and plumbing applications. This durable gauge is ideal for service on air, oil, water and steam and meets all ASME B40.1-1991 requirements. The instrument is also, CRN registered.

The 4.5" (115mm) Contractor pressure gauge features a rugged stainless steel case and ring with a 1% full scale accuracy rating.

Specifications

| | |
|-----------------------------|---|
| Dial: | 4 1/2" (115mm) white aluminum dial with black and red markings |
| Case: | 304 stainless steel |
| Lens: | Polycarbonate |
| Ring: | 304 stainless steel |
| Pointer: | Aluminum, anodized black, recalibrator screw |
| Socket: | Brass |
| Connection: | 1/4" NPT standard |
| Bourdon Tube: | Phosphor Bronze |
| Movement: | Brass |
| Welding: | Silver solder |
| Over-pressure Limit: | 25% for pressures up to 1,400 psi (9,653 kPa) 15% for pressures over 1,400 psi (9,653 kPa) |
| Working Pressure: | Maximum 75% of full scale value |
| Ambient Temperature: | -40°F/+150°F (-40°C/+65°C) |
| Process Temperature: | -40°F/+150°F (-40°C/+65°C) |
| Accuracy: | ± 1% (ANSI/ASME Grade 1A) |
| Protection: | IP52 |



Corporate Office: 121 Railside Road • Toronto • ON • M3A 1B2 • (416) 444-2345 • Fax: (416) 444-8979

U.S.A. Office: 600 Ensminger Road • Buffalo • NY • 14150 • (716) 874-8700 • Fax: (716) 874-8800

www.winters.com • 1-800-WINTERS (946-8377)

Contractor

How to order: Specify product code

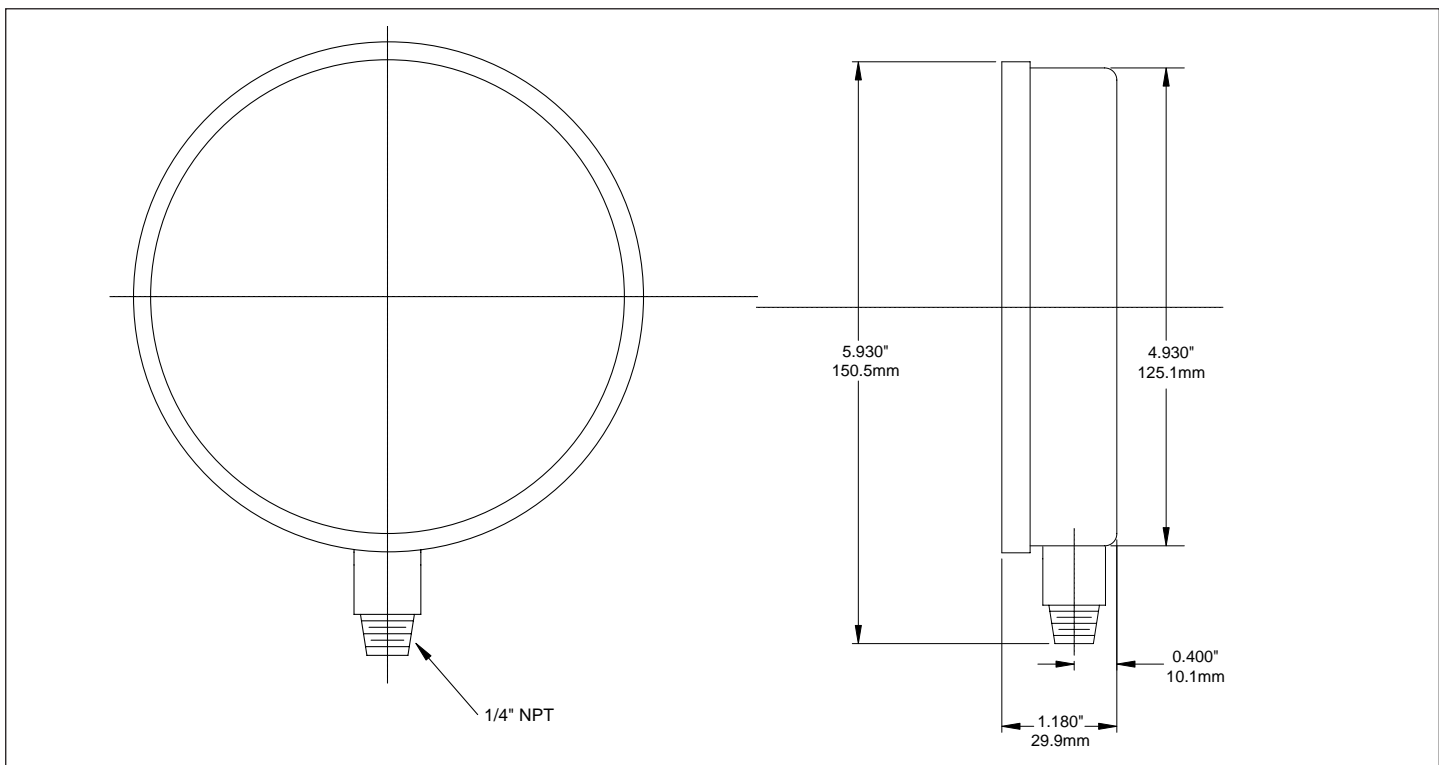
PRODUCT CODES

| CONTRACTOR GAUGE | |
|---------------------|--------|
| Connection | Bottom |
| NPT Connection Size | 1/4" |
| 30" Vacuum/kPa | Q320 |
| 30"-0-30 psi/kPa | Q329 |
| 30"-0-60 psi/kPa | Q330 |
| 30"-0-100 psi/kPa | Q328 |
| 30"-0-160 psi/kPa | Q332 |
| 30"-0-200 psi/kPa | Q333 |
| 30"-0-300 psi/kPa | Q334 |

| CONTRACTOR GAUGE | |
|------------------|------|
| 0-15 psi/kPa | Q319 |
| 0-30 psi/kPa | Q321 |
| 0-60 psi/kPa | Q322 |
| 0-100 psi/kPa | Q323 |
| 0-160 psi/kPa | Q324 |
| 0-200 psi/kPa | Q325 |
| 0-300 psi/kPa | Q326 |
| 0-400 psi/kPa | Q327 |
| 0-600 psi/kPa | Q331 |
| 0-1000 psi/kPa | Q293 |
| 0-3000 psi/kPa | Q294 |
| 0-5000 psi/kPa | Q295 |

Options:

- Other ranges available upon request.
- Other connection sizes available upon request.



Corporate Office: 121 Railside Road • Toronto • ON • M3A 1B2 • (416) 444-2345 • Fax: (416) 444-8979

U.S.A. Office: 600 Ensminger Road • Buffalo • NY • 14150 • (716) 874-8700 • Fax: (716) 874-8800

www.winters.com • 1-800-WINTERS (946-8377)

Freon

CRN

Dry

Liquid Filled



Blister Packaging Available



Description

Winters' Freon Gauges are designed for use on all freon applications.

Winters; Freon Gauges (2 1/2" (63mm) dial) are colour coded for easy identification of high and low pressures and are standard with vibration free movement (flutterless) which prevents excess pointer movement on applications where vibration is present. CFC refrigerant scale is standard, HFC refrigerant scale is available. The 2 1/2" (63mm) Freon Gauge is available liquid filled. Common applications include hydraulic equipment, irrigation equipment and compressors.

The Freon Gauge is available in 4" (100mm) and 6" (150mm) with an accuracy of 1% full scale.

Winters Freon Pressure Gauge is CRN registered.

Specifications

| | |
|-------------------------------|---|
| Dial: | 2 1/2" (63mm), 4" (100mm) and 6" (150mm), white aluminum, (2 1/2" liquid filled, multi-coloured dial.) |
| Case: | 2 1/2" (63mm): plastic, colour coded, blue for low pressure and red for high pressure, 4" (100mm) and 6" (150mm): steel painted black |
| Lens: | 2 1/2" (63mm): plexiglass, threaded; liquid filled: polycarbonate lens; 4" (100mm) and 6" (150mm): glass |
| Ring: | 2 1/2" (63mm) liquid filled stainless steel, crimped; 4" (100mm): brass, polished 6" (150mm): steel, painted black |
| Pointer: | Aluminum, anodized black; 2 1/2" (63mm) liquid filled aluminum, anodized red. |
| Connection: | 1/8" NPT or 1/4" NPT standard |
| Restrictor Screw: | Standard |
| Recalibrator Screw: | Standard (2 1/2" liquid filled external recalibrator) |
| Bourdon Tube: | 2 1/2" (63mm): Phosphor bronze, vibration free (flutterless movement-dry only); 4" (100mm) and 6" (150mm): Phosphor bronze |
| Welding: | Solder, #50 Sn. |
| Over-pressure Limit: | 25% of full scale value |
| Working Pressure: | Maximum 75% of full scale value |
| Ambient/Process Temp.: | 2 1/2" (63mm), 4" (100mm), 6" (150mm) -40°F-158°F (-40°C-70°C) 2 1/2" (63mm) liquid filled - glycerine -13°F -140°F (-25°C-60°C) |
| Accuracy: | 2 1/2" (63mm): ± 2% accuracy (ANSI/ASME Grade B) 4" (100mm) and 6" (150mm): ± 1% accuracy (ANSI/ASME Grade 1A) |
| Enclosure: | IP52 Dry, IP65 Liquid Filled |



Corporate Office: 121 Railside Road • Toronto • ON • M3A 1B2 • (416) 444-2345 • Fax: (416) 444-8979

U.S.A. Office: 600 Ensminger Road • Buffalo • NY • 14150 • (716) 874-8700 • Fax: (716) 874-8800

www.winters.com • 1-800-WINTERS (946-8377)

Freon

How to order: Specify product code

PRODUCT CODES

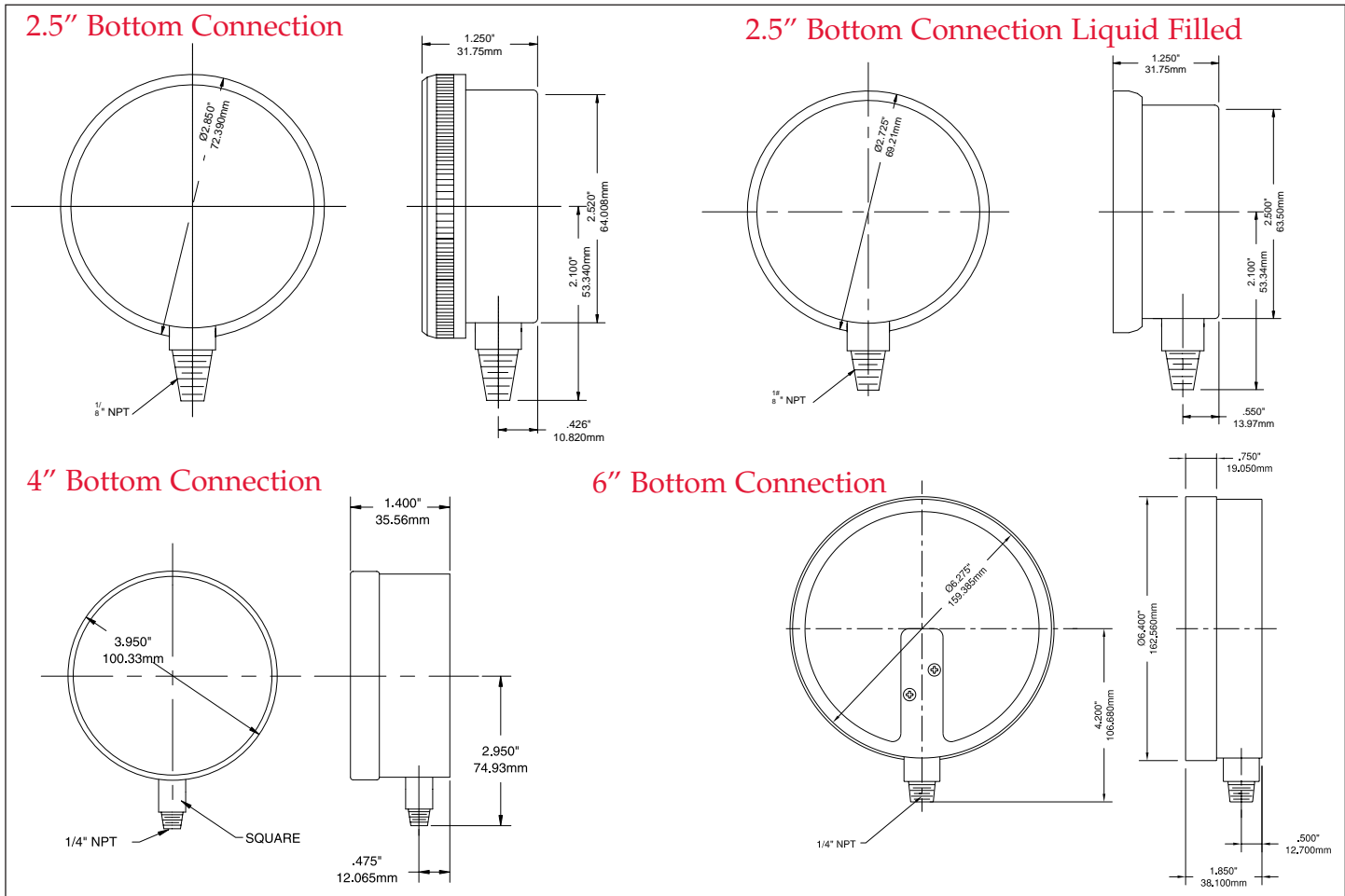
| Dial Size | 2 1/2" (63mm) | 2 1/2" (63mm) | 2 1/2" (63mm) | 4" (100mm) | 4" (100mm) | 6" (150mm) | 6" (150mm) |
|-------------------------------|--------------------|------------------|--------------------|--------------------|------------------|--------------------|------------------|
| Case | Plastic | Plastic | Plastic - LF** | Steel | Steel | Steel | Steel |
| Connection | 1/8" NPT Bottom | 1/8" NPT Back | 1/8" NPT Bottom | 1/4" NPT Bottom | 1/4" NPT Back | 1/4" NPT Bottom | 1/4" NPT Back |
| 30"-0-120 psi (retard 250) | Q1730 | * | Q1760 | Q1734 | * | Q1738 | * |
| 30"-0-300 psi | Q1731 | * | Q1761 | Q1735 | * | Q1739 | * |
| 0-500 psi | Q1732 | * | Q1762 | Q1736 | * | Q1740 | * |

* Available upon request.

** LF: Liquid Filled

Options:

- Back flange available.
- Front flange available.
- Blister packaging available
- U-clamp available.
- Other ranges available upon request.
- Other connection sizes available upon request.

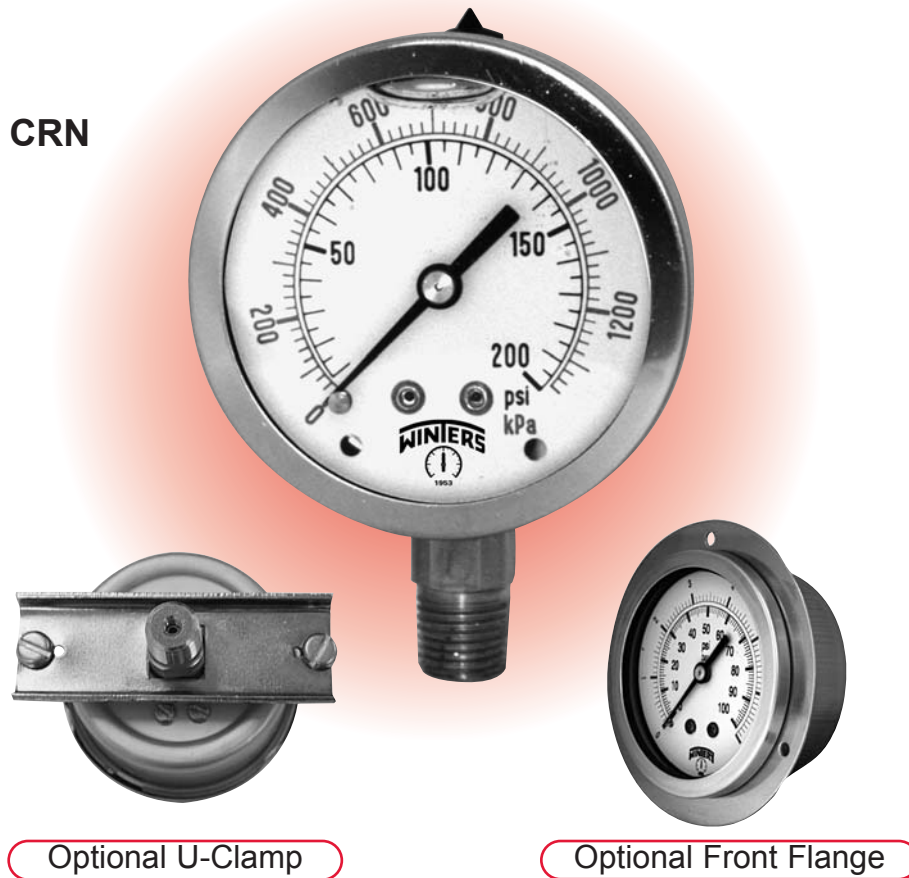


Corporate Office: 121 Railside Road • Toronto • ON • M3A 1B2 • (416) 444-2345 • Fax: (416) 444-8979

U.S.A. Office: 600 Ensminger Road • Buffalo • NY • 14150 • (716) 874-8700 • Fax: (716) 874-8800

www.winters.com • 1-800-WINTERS (946-8377)

Liquid Filled (LF) Series Quality



Description

The Winters Liquid Filled (LF) Quality Series pressure gauges are designed for service applications where vibration or pulsation is present. All internal parts of the gauge are immersed in glycerin which protects them from the harmful effects of vibration and pulsation.

The Winters LF Quality Series are suitable for use on pumps, compressors, hydraulic presses and machinery, motors, winches etc. The gauges are available in direct, wall or panel mounting formats with ranges from vacuum to 15,000 psi (103,421 kPa).

The Winters LF Quality Series is CRN registered.



Corporate Office: 121 Railside Road • Toronto • ON • M3A 1B2 • (416) 444-2345 • Fax: (416) 444-8979

U.S.A. Office: 600 Ensminger Road • Buffalo • NY • 14150 • (716) 874-8700 • Fax: (716) 874-8800

www.winters.com • 1-800-WINTERS (946-8377)

Liquid Filled (LF) Series Quality

| Specifications | |
|-----------------------------|--|
| Dial: | 1.5" (40mm), 2.5" (63mm), 4" (100mm), aluminum, white with black and red markings |
| Case: | AISI 304 stainless steel |
| Lens: | Polycarbonate |
| Ring: | AISI 304 stainless steel |
| Pointer: | Aluminum, anodized black |
| Socket: | OT 58 brass or AISI 316 stainless steel |
| Connection: | 1/8", 1/4" NPT or 1/2" NPT standard |
| Bourdon Tube: | 1.5" (40mm) - Brass C-shaped for pressures up to and including 600 psi (4,147 kPa) Steel C-shaped for pressures over 600 psi (4,136 kPa) 2.5" (63mm) and 4" (100mm) Phosphor bronze C-shaped for pressures up to and including 600 psi (4,147 kPa) unless stainless steel internals are specified. AISI 316 st/st C-shaped for 1000 psi (6,895 kPa) AISI 316 st/st spiral for pressures above 1000 psi (6,895 kPa) |
| Movement: | OT 59 brass or stainless steel |
| Gasket Materials: | Silicone rubber for socket; EPDM for lens, filling plug and blow-out vent. |
| Fill Liquid: | Glycerin is standard; silicone and fluorolube are optional on 2 1/2" (63mm) and 4" (100mm) only |
| Protection: | 1 1/2" (40mm) - IP50 per UEC 529, UNI 8896 (brass), 2 1/2" (63mm) and 4" (100mm) - IP65 per UEC 529, UNI 8896 |
| Welding: | Brass for pressures below 600 psi (4,147 kPa), 316 Stainless steel TIG Argonarc for pressures 600 psi (4,147 kPa) and above |
| Over-pressure Limit: | 25% for pressures up to 1,400 psi (9,653 kPa), 15% for pressures over 1,400 psi (9,653 kPa) |
| Working Pressure: | Maximum 75% of full scale value |
| Ambient Temperature: | -40F/150F (-40C-65C) dry, -14F/150F glycerine filled |
| Process Temperature: | -40F/150F (-40C-65C) dry, -14F/150F glycerine filled |
| Accuracy: | 1 1/2" (40mm): ± 2.5% accuracy (ANSI/ASME Grade B) 2 1/2" (63mm) and 4" (100mm): ± 1.5% (ANSI/ASME Grade B) |
| Protection: | IP65 |

Note: 1 1/2" (40mm) gauges are available dry (non-liquid filled) only on a special order basis.



Corporate Office: 121 Railside Road • Toronto • ON • M3A 1B2 • (416) 444-2345 • Fax: (416) 444-8979

U.S.A. Office: 600 Ensminger Road • Buffalo • NY • 14150 • (716) 874-8700 • Fax: (716) 874-8800

www.winters.com • 1-800-WINTERS (946-8377)

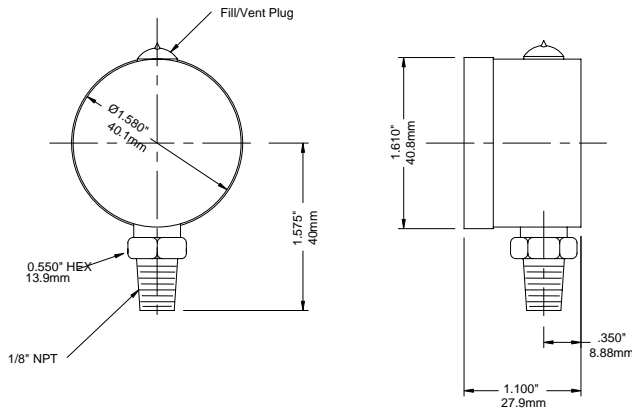
Liquid Filled (LF) Series Quality

How to order: Specify product code
PRODUCT CODES

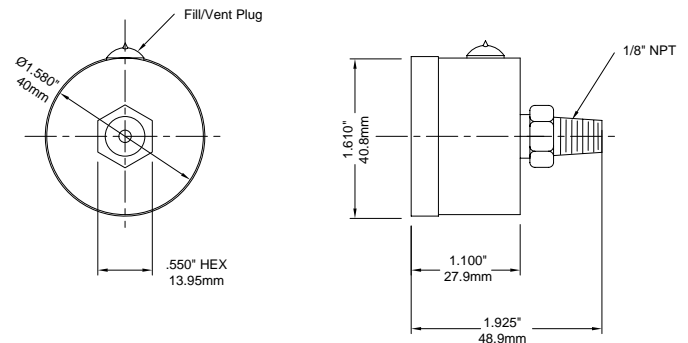
| Dial Size | 1 1/2" (40mm) | | | | 2 1/2" (63mm) | | 4" (100mm) | | | | 4" (100mm) | | | | |
|-------------------------|---------------|-----------|-----------|------------|---------------|-----------|------------|--------|-----------|-----------|------------|-----------|-----------|-----------|---|
| Connection | Bottom | Back (CB) | Bottom** | Back**(CB) | Bottom | Back (CB) | Bottom | Bottom | Back (CB) | Back (CB) | Bottom | Bottom | Back (CB) | Back (CB) | |
| Tube, Socket & Movement | Brass | Brass | Stainless | Stainless | Brass | Brass | Brass | Brass | Brass | Brass | Stainless | Stainless | Stainless | Stainless | |
| NPT Connection | 1/8" | 1/8" | 1/8" | 1/8" | 1/4" | 1/4" | 1/4" | 1/2" | 1/4" | 1/2" | 1/4" | 1/2" | 1/4" | 1/2" | |
| 30" Hg Vacuum/kPa | * | * | Q1200 | Q1220 | Q801 | Q900 | Q700 | * | Q730 | * | Q760 | * | Q1260 | * | |
| 30"-0-15 psi/kPa | * | * | * | * | Q790 | Q890 | Q701 | * | Q731 | * | Q761 | * | Q1261 | * | |
| 30"-0-30 psi/kPa | * | * | * | * | Q798 | Q898 | Q702 | * | Q732 | * | Q762 | * | Q1262 | * | |
| 30"-0-60 psi/kPa | * | * | * | * | Q799 | Q899 | Q703 | * | Q733 | * | Q763 | * | Q1263 | * | |
| 30"-0-100 psi/kPa | * | * | * | * | Q791 | Q891 | Q704 | * | Q734 | * | Q764 | * | Q1264 | * | |
| 30"-0-150 psi/kPa | * | * | * | * | Q792 | Q892 | Q705 | * | Q735 | * | Q765 | * | Q1265 | * | |
| 30"-0-200 psi/kPa | * | * | * | * | Q794 | Q894 | Q706 | * | Q736 | * | Q766 | * | Q1266 | * | |
| 30"-0-300 psi/kPa | * | * | * | * | Q795 | Q895 | Q707 | * | Q737 | * | Q767 | * | Q1267 | * | |
| 0-15 psi/kPa | * | * | Q1201 | Q1221 | Q800 | Q901 | Q708 | * | Q738 | * | Q768 | * | Q1268 | * | |
| 0-30 psi/kPa | Q1102 | Q1122 | Q1202 | Q1222 | Q802 | Q902 | Q709 | * | Q739 | * | Q769 | * | Q1269 | * | |
| 0-60 psi/kPa | Q1103 | Q1123 | Q1203 | Q1223 | Q803 | Q903 | Q710 | * | Q740 | * | Q770 | * | Q1270 | * | |
| 0-100 psi/kPa | Q1104 | Q1124 | Q1204 | Q1224 | Q804 | Q904 | Q711 | * | Q741 | * | Q771 | * | Q1271 | * | |
| 0-160 psi/kPa | Q1105 | Q1125 | Q1205 | Q1225 | Q805 | Q905 | Q712 | * | Q742 | * | Q772 | * | Q1272 | * | |
| 0-200 psi/kPa | Q1106 | Q1126 | Q1206 | Q1226 | Q806 | Q906 | Q713 | * | Q743 | * | Q773 | * | Q1273 | * | |
| 0-300 psi/kPa | Q1107 | Q1127 | Q1207 | Q1227 | Q807 | Q907 | Q714 | * | Q744 | * | Q774 | * | Q1274 | * | |
| 0-400 psi/kPa | * | * | * | * | Q817 | Q917 | Q715 | * | Q745 | * | Q775 | * | Q1275 | * | |
| 0-600 psi/kPa | Q1108 | Q1128 | Q1208 | Q1228 | Q808 | Q908 | Q716 | * | Q746 | * | Q776 | * | Q1276 | * | |
| 0-1000 psi/kPa | Q1109 | Q1129 | Q1209 | Q1229 | Q809 | Q909 | * | Q717 | * | Q747 | * | Q777 | * | Q1277 | * |
| 0-1500 psi/kPa | Q1110 | Q1130 | Q1210 | Q1230 | Q816 | Q914 | * | Q718 | * | Q748 | * | Q778 | * | Q1278 | * |
| 0-2000 psi/kPa | Q1111 | Q1131 | Q1211 | Q1231 | Q810 | Q910 | * | Q719 | * | Q749 | * | Q779 | * | Q1279 | * |
| 0-3000 psi/kPa | Q1112 | Q1132 | Q1212 | Q1232 | Q811 | Q911 | * | Q720 | * | Q750 | * | Q780 | * | Q1280 | * |
| 0-5000 psi/kPa | Q1113 | Q1133 | Q1213 | Q1233 | Q812 | Q912 | * | Q721 | * | Q751 | * | Q781 | * | Q1281 | * |
| 0-6000psi/kPa | * | * | * | * | Q814 | Q915 | * | Q784 | * | Q785 | * | Q789 | * | Q1284 | * |
| 0-7500psi/kPa | * | * | * | * | Q818 | Q918 | * | * | * | * | * | * | * | * | |
| 0-10000 psi/kPa | * | * | * | * | Q813 | Q913 | * | Q722 | * | Q752 | * | Q782 | * | Q1282 | * |
| 0-15000 psi/kPa | * | * | * | * | * | * | * | Q723 | * | Q753 | * | Q783 | * | Q1283 | * |
| 0-20000 psi/kPa | * | * | * | * | * | * | * | * | * | * | * | * | * | * | |

Other Options: **1.5" Stainless available in psi only
 25BF = 2.5" (63mm) Back Flange Dry = supply above gauge less liquid fill
 CB = Centre Back Connection 4BF = 4" (100mm) Back Flange 25UC = 2.5" (63mm) U-Clamp 4UC = 4" (100mm) U-Clamp
 * Other ranges available upon request. LB = Lower Back Connection 25FF = 2.5" (63mm) Front Flange 4FF = 4" (100mm) Front Flange
 * Available upon request.

1 1/2" Bottom Connection, Brass Internals



1 1/2" Back Connection, Brass Internals



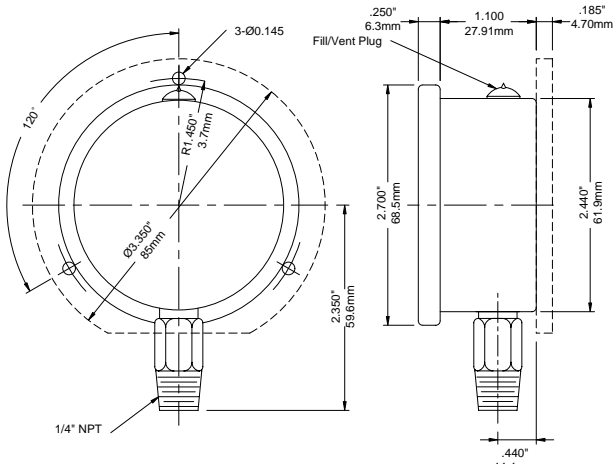
Corporate Office: 121 Rainside Road • Toronto • ON • M3A 1B2 • (416) 444-2345 • Fax: (416) 444-8979

U.S.A. Office: 600 Ensminger Road • Buffalo • NY • 14150 • (716) 874-8700 • Fax: (716) 874-8800

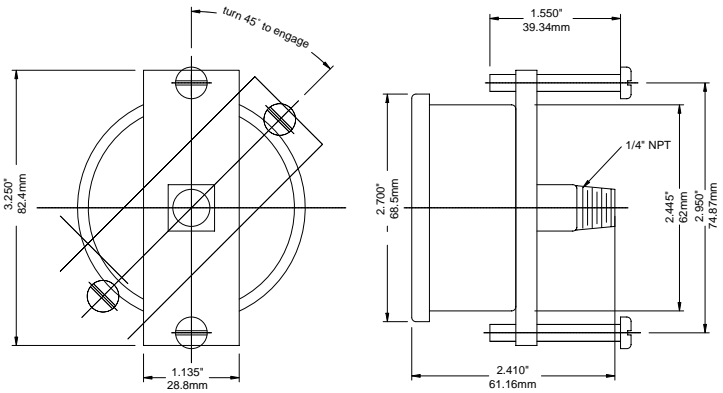
www.winters.com • 1-800-WINTERS (946-8377)

Liquid Filled (LF) Series Quality

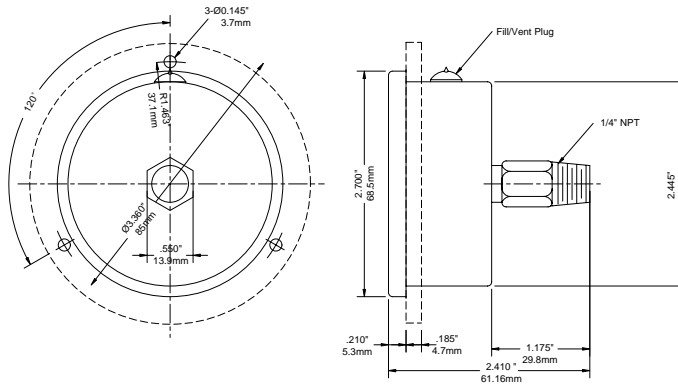
2 1/2" Bottom Connection with optional Back Flange



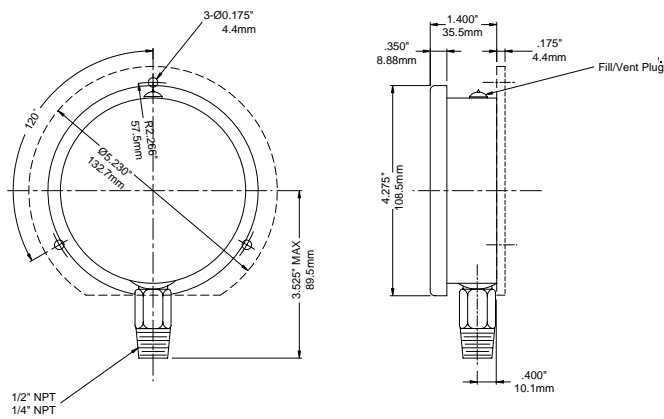
2 1/2" Back Connection, U-Clamp



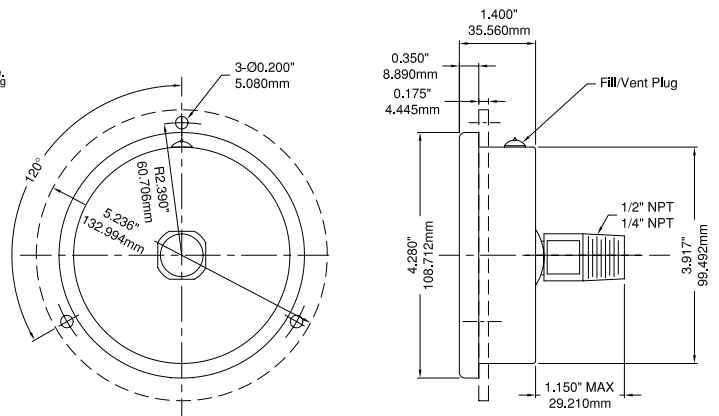
2 1/2" Back Connection with optional Front Flange



4" Bottom Connection with optional Back Flange



4" Back Connection with optional Front Flange



Corporate Office: 121 Railside Road • Toronto • ON • M3A 1B2 • (416) 444-2345 • Fax: (416) 444-8979

U.S.A. Office: 600 Ensminger Road • Buffalo • NY • 14150 • (716) 874-8700 • Fax: (716) 874-8800

www.winters.com • 1-800-WINTERS (946-8377)

Paper Machine Gauge



- Hinged Ring Case for Easy Recalibration
- Designed to Fit Existing Paper Machine Panels
- Moisture Proof Weep Hole Prevents Condensation Buildup

Description

Winters Paper Machine Gauge features a heavy duty steel case with a front flange and a hinged ring design with weep hole. This configuration allows for easy access to the recalibrator, and prevents condensation buildup.

This instrument is available in 3.5" (90mm) dial size, with a 1/4" NPT lower back mount connection. Standard pressure ranges up to 1,000 psi are available.

Winters Paper Machine Gauge is specifically designed to fit existing paper machine panels.

Specifications

| | |
|-------------------------------------|---|
| Dial: | 3.5" (90mm) aluminum dial with black markings |
| Case: | Chrome-plated steel, hinged ring case, front flange, 3 mounting holes, moisture proof weep hole |
| Lens: | Glass lens |
| Ring: | Chrome plated brass ring with weather-tight seal |
| Pointer: | Non-adjustable |
| Socket: | Brass |
| Bourdon Tube: | Phosphor Bronze |
| Movement: | Stainless steel |
| Connection: | 1/4" NPT lower back mount |
| Ranges: | Standard ranges up to 1,000 psi |
| Over Pressure Limit: | 25% of full scale value |
| Working Pressure: | Maximum 75% of full range |
| Ambient/Process Temperature: | -40°F - 158°F (-40°C - 70°C) |
| Recalibrator: | Standard |
| Restrictor Screw: | Standard |
| Accuracy: | * /-2%-1%-2% ASME Grade A |



Corporate Office: 121 Railside Road • Toronto • ON • M3A 1B2 • (416) 444-2345 • Fax: (416) 444-8979

U.S.A. Office: 600 Ensminger Road • Buffalo • NY • 14150 • (716) 874-8700 • Fax: (716) 874-8800

www.winters.com • 1-800-WINTERS (946-8377)

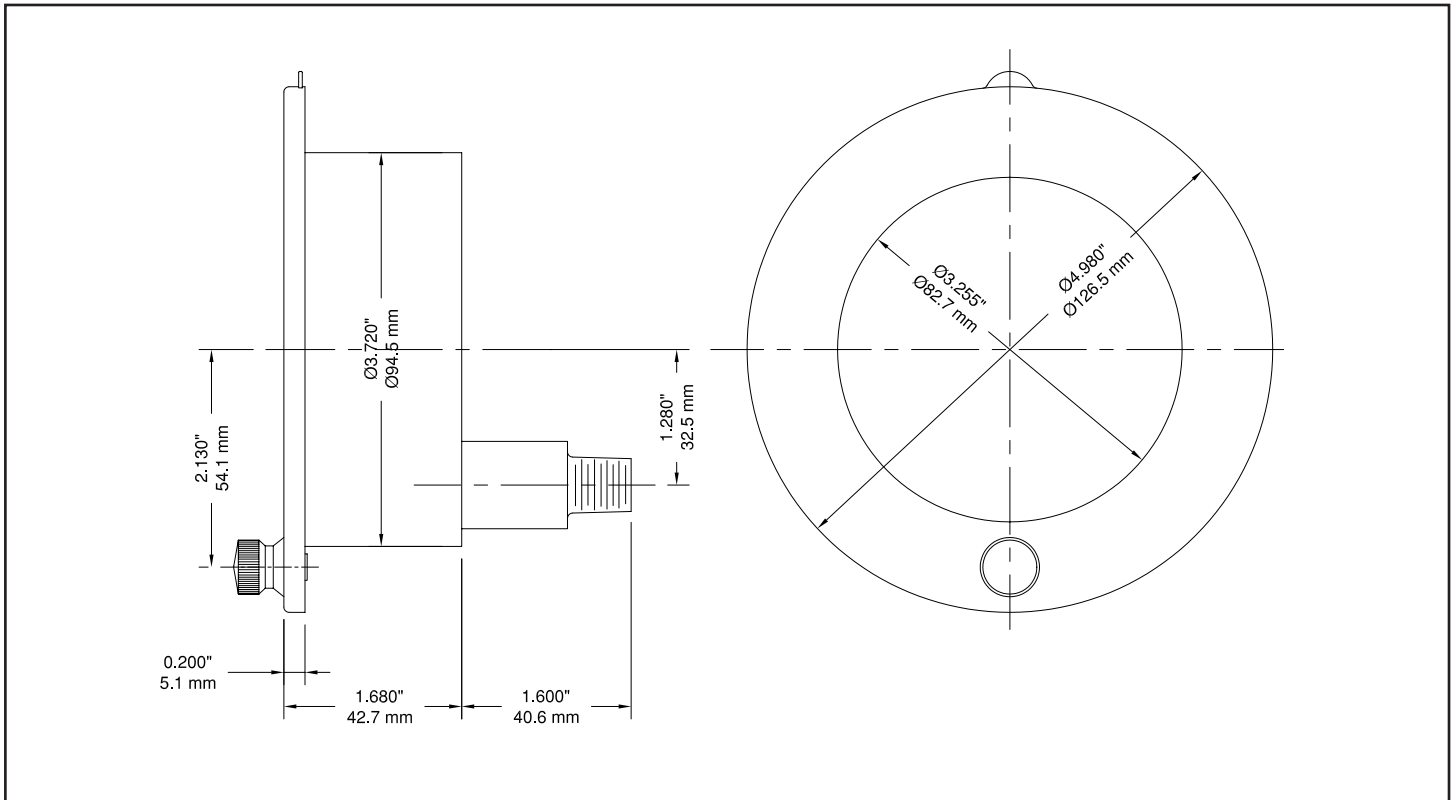
Paper Machine Gauge

How to order: Specify Product Code
PRODUCT CODES

| Pressure Range | 3 1/2" (90mm) dial size 1/4" NPT Lower Back |
|----------------|--|
| 0 - 30 psi | PMG30 |
| 0 - 60 psi | PMG60 |
| 0 - 100 psi | PMG100 |
| 0 - 160 psi | PMG160 |
| 0 - 200 psi | PMG200 |
| 0 - 300 psi | PMG300 |
| 0 - 400 psi | PMG400 |
| 0 - 600 psi | PMG600 |
| 0 - 1000 psi | PMG1000 |

Options:

- Custom dials available upon request
- Other configurations available



Corporate Office: 121 Railside Road • Toronto • ON • M3A 1B2 • (416) 444-2345 • Fax: (416) 444-8979

U.S.A. Office: 600 Ensminger Road • Buffalo • NY • 14150 • (716) 874-8700 • Fax: (716) 874-8800

www.winters.com • 1-800-WINTERS (946-8377)

06/03

Sprinkler



CRN



Description

Winters' Sprinkler Gauges are listed by Underwriter's Laboratories (ULC) of Canada for use on sprinkler systems. (It also, has a Canadian Registration Number).

Each precision gauge is individually tested, inspected and guaranteed to meet the specified accuracy.

How to order: Specify product code

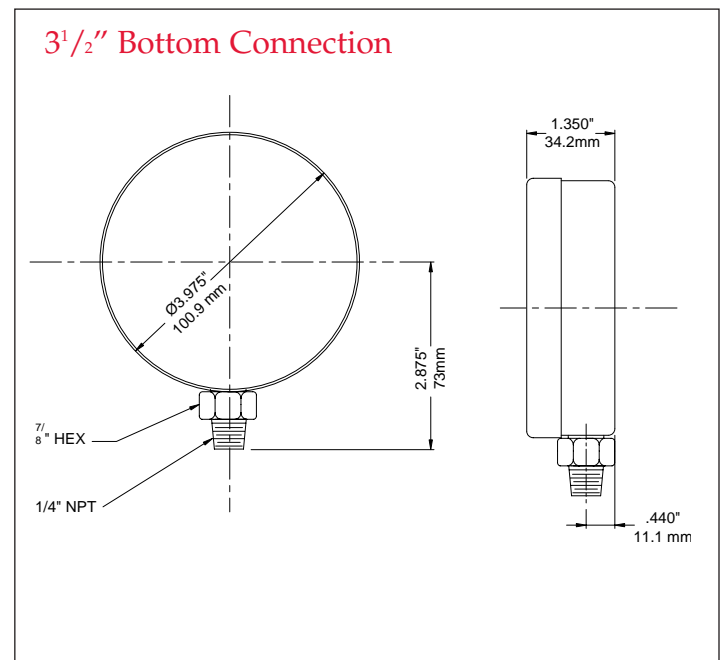
PRODUCT CODES

| Medium | Water/Air |
|---------------|-----------|
| 0-250 psi/kPa | Q1721 |

Specifications

| | |
|-----------------------------|---|
| Dial | 3 1/2" (90mm) white aluminum dial with black and red markings |
| Case: | Steel, painted black |
| Lens: | Glass |
| Ring: | Steel, painted black |
| Pointer: | Aluminum, anodized black |
| Socket: | Brass |
| Connection: | 1/4" NPT Standard |
| Bourdon Tube: | Phosphor bronze |
| Movement: | Brass |
| Welding: | Silver alloy |
| Protection: | IP50 |
| Ambient Temperature: | -40°F to 150°F (-40°C to 65°C) |
| Process Temperature: | 32F-150PF (0-65PC) |
| Working Pressure: | Maximum 75% of full scale value |
| Accuracy: | ± 1.5% full scale accuracy (ANSI/ASME Grade B) |

3 1/2" Bottom Connection



Corporate Office: 121 Railside Road • Toronto • ON • M3A 1B2 • (416) 444-2345 • Fax: (416) 444-8979

U.S.A. Office: 600 Ensminger Road • Buffalo • NY • 14150 • (716) 874-8700 • Fax: (716) 874-8800

www.winters.com • 1-800-WINTERS (946-8377)

Welding

CRN



0-4000 psi/kPa



New Size!

Description

Winters' Welding Gauges are designed for oxygen and acetylene service on welding tank regulators. The high pressure gauge measures the tank pressure while the lower pressure gauges measure the regulated operating pressure. In accordance with U.L. requirements for compressed gas service, the gauges are clearly marked "USE NO OIL" and the high pressure gauge has a pressure relief blow-out back.

The Welding pressure gauge is UL Listed for the 0-4000 psi/kPa and CRN registered for all ranges.

How to order: Specify product code

PRODUCT CODES

| Dial Size | | 2"(50mm) | 2 1/2"(63mm) |
|-----------|----------|----------|--------------|
| 0-30 | psi/bar | Q2720 | Q2820 |
| 0-100 | psi/bar | Q2722 | Q2822 |
| 0-200 | psi/bar | Q2724 | Q2824 |
| 0-400 | psi/bar | Q2726 | Q2826 |
| 0-4000 | psi/kPa* | Q2732 | Q2832 |

* U.L. Listed . Other ranges available upon request.

Specifications

| | |
|-----------------------------|--|
| Dial: | 2 1/2" (63mm) white aluminum with black and red markings |
| Case: | Brass, polished |
| Lens: | Plexiglass |
| Ring: | Brass, polished |
| Pointer: | Aluminum, painted black |
| Socket: | Brass |
| Connection: | 1/4" NPT standard, bottom |
| Bourdon Tube: | Phosphor bronze |
| Movement: | Brass |
| Welding: | Silver alloy |
| Over-pressure Limit: | 25% of full scale value |
| Working Pressure: | Maximum 75% of full scale value |
| Ambient Temperature: | -40°F to 150°F (-40°C to 65°C) |
| Process Temperature: | -40°F to 150°F (-40°C to 65°C) |
| Accuracy: | ± 3%-2%-3% accuracy (ANSI/ASME Grade B) |
| Protection: | IP52 |



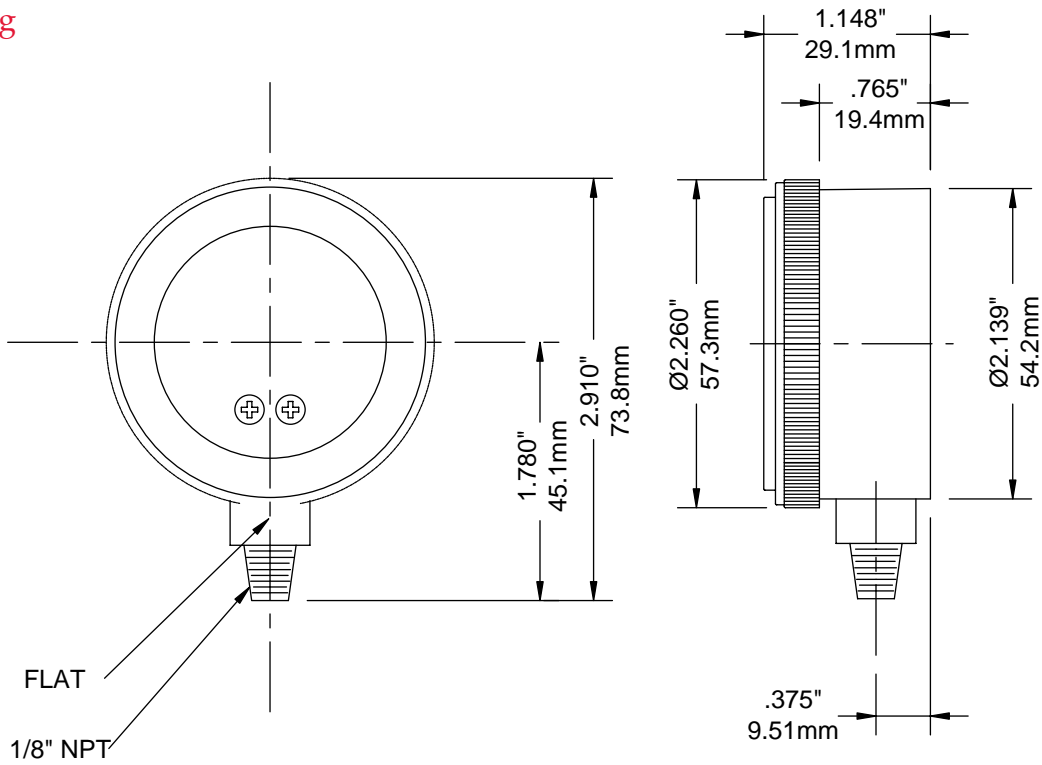
Corporate Office: 121 Railside Road • Toronto • ON • M3A 1B2 • (416) 444-2345 • Fax: (416) 444-8979

U.S.A. Office: 600 Ensminger Road • Buffalo • NY • 14150 • (716) 874-8700 • Fax: (716) 874-8800

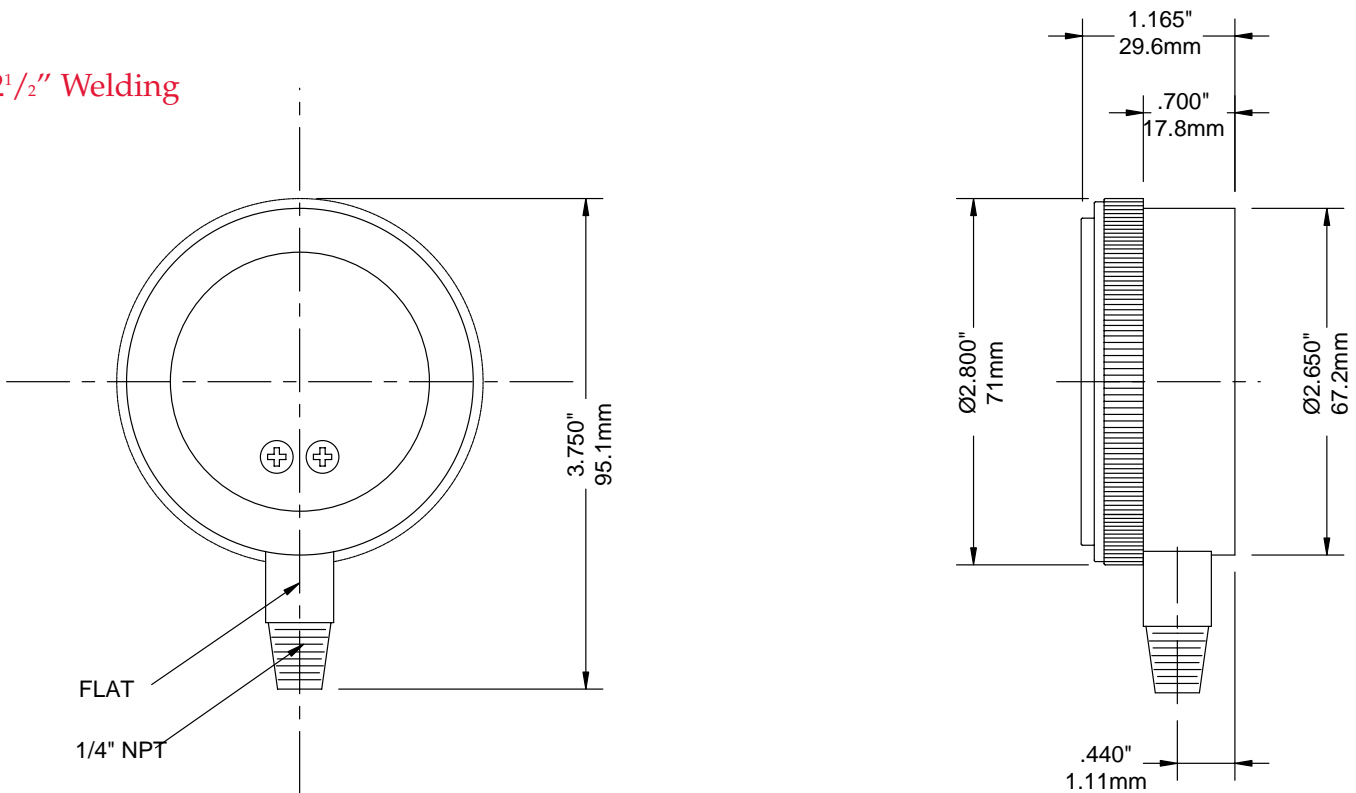
www.winters.com • 1-800-WINTERS (946-8377)

Welding

2" Welding



2 1/2" Welding



Corporate Office: 121 Railside Road • Toronto • ON • M3A 1B2 • (416) 444-2345 • Fax: (416) 444-8979

U.S.A. Office: 600 Ensminger Road • Buffalo • NY • 14150 • (716) 874-8700 • Fax: (716) 874-8800

www.winters.com • 1-800-WINTERS (946-8377)